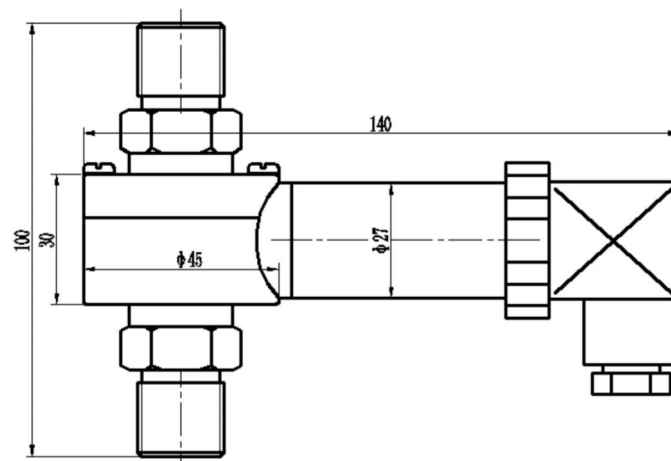


PMD440 Differential pressure transmitter
MAIN FEATURES

- Compact and easy to install
- Small and medium scale full coverage
- High stability, high reliability


SPECIFICATION

Items	Parameter
Range	0kPa~10kPa...3.5MPa
Overload capability	≤ 2 times full scale
Pressure Type	D (differential pressure)
Accuracy	0.1% (custom), 0.25% (typical), 0.5% (maximum)
Long-term stability	±0.1%FS/year (typical), ±0.2%FS/year (maximum)
Zero temperature drift	±0.03%FS/°C (≤100kPa), ±0.02%FS/°C (>100kPa)
Sensitivity temperature drift	±0.03%FS/°C (≤100kPa), ±0.02%FS/°C (>100kPa)
Compensation temperature	0°C~50°C(≤100kPa), -10°C~70°C(>100kPa)
Medium temperature	-40°C~80°C
Power supply	12 ~ +30VDC
Output Signal	4mA~20mA (superimposable HART protocol) 0V~10V (output range can be customized) RS485
Load Resistance	Current type: ≤ (U-12) / 0.02 (Ω)
Protection level	IP65 (customizable IP66/IP68)

TYPICAL DIMENSION


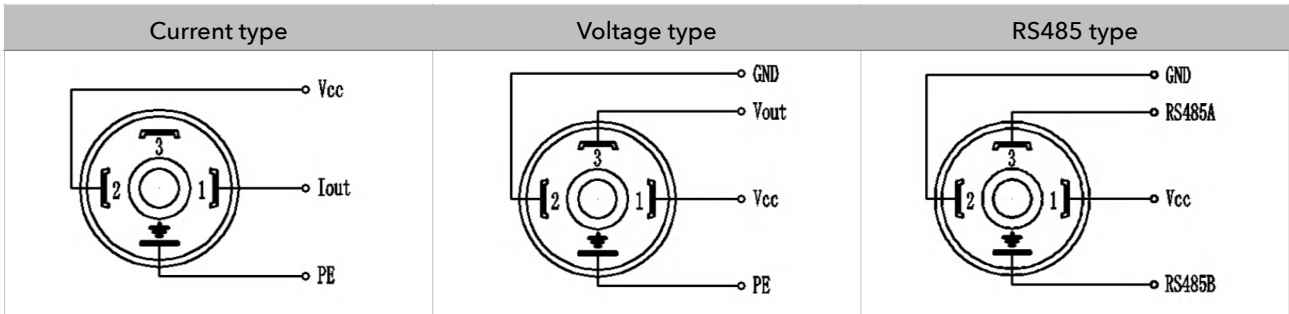
Unit: mm

MORE RECOMMENDATION

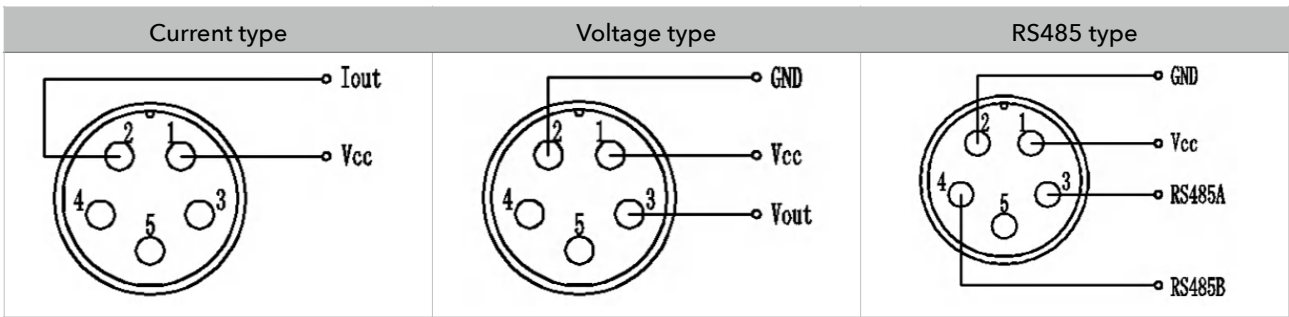
MODEL	FEATURE	OUTLINE CONSTRUCTION
PMD4401	<ol style="list-style-type: none"> 1. Standard Hirschmann connector 2. The full range of threads can be customized 3. Pressure interface, materials can be customized 	
PMD4402	<ol style="list-style-type: none"> 1. Waterproof metal joints 2. Pressure interface type, material can be customized 	
PMD4403	<ol style="list-style-type: none"> 1. Special for small differential pressure 2. With overload protection, overload resistance 500 times 	
PMD4404	<ol style="list-style-type: none"> 1. Aviation socket 2. Hose interface 	
PMD4405	<ol style="list-style-type: none"> 1. High reliability liquid level outlet, waterproof grade IP68 2. Pressure interface, materials can be customized 	
PMD4406	<ol style="list-style-type: none"> 1. Explosion-proof design 2. 4-digit LED / LCD display 3. Pressure interface, materials can be customized 	

ELECTRIC CONNECTION

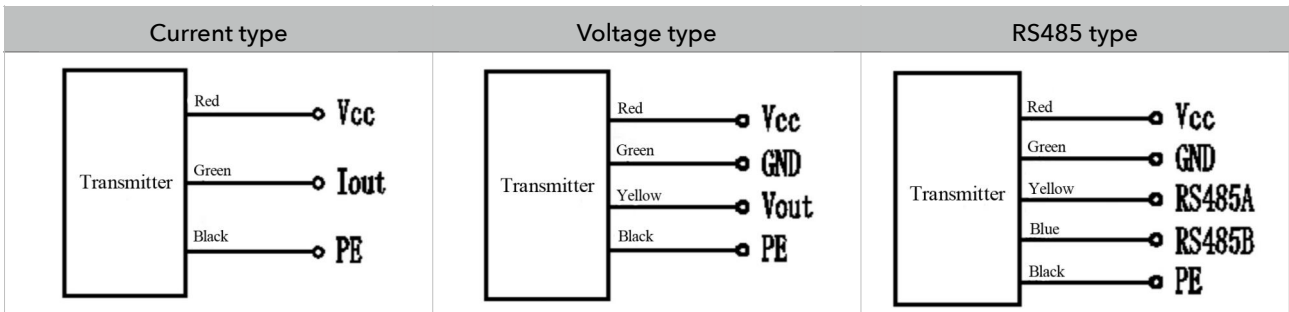
• Hirschmann socket electric connection



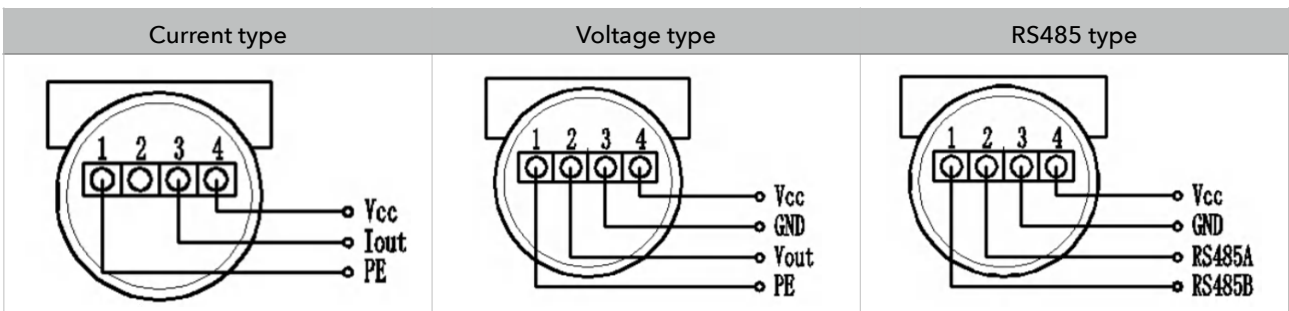
• Aviation socket electric connection



• Direct cable connection



• Industrial digital electric connection



ORDER CODE

Code:	A	-	B	-	C	-	D	-	E	-	F
Model:	PMD4401	-	0-5bar	-	S	-	L	-	G 1/2	-	MA

Model	Code A
Standard Hirschmann connection type	4401
Waterproof metal joints type	4402
Special for small differential pressure	4403
Aviation socket connection type	4404
High reliability liquid level outlet, waterproof grade IP68	4405
Explosion-proof 4-digit LED / LCD display type	4406
Pressure Range(X=specific range)	Code B
0kPa~10kPa...3.5MPa	X MPa
0Bar ~35Bar	X Bar
0psi ~500psi	X psi
Accuracy	Code C
0.1% (custom)	C
0.25%(typical)	T
0.5%(standard)	S
Interface material	Code D
316L	L
Other customized	C

Process connection	Code E
M22*1.5	M22
G1/2	G1/2
M20*1.5	M20
M18*1.5	M18
G3/8	G3/8
M16*1.5	M16
M14*1.5	M14
G1/4	G1/4
M12*1	M12
M10*1	M10
G1/8	G1/8
1/2NPT	1/2NPT
1/2PT	1/2PT
3/8PT	3/8PT
3/8NPT	3/8NPT
1/4NPT	1/4NPT
1/4PT	1/4PT
1/8NPT	1/8NPT
Output signal	Code F
4mA~20mA (superimposable HART protocol)	MA
0V~10V (output range can be customized)	V1
RS485	RS
More output customized	C

Remarks:

1. When installing, use a wrench to tighten the pressure joint on the six sides of the thread. Do not use the case as the force point to prevent damage to the product sealing performance.
2. The mounting interfaces on both sides ensure coaxiality and ensure that the transmitter interface is not subject to extra stress.
3. Static pressure needs to be within the range specified by the transmitter.
4. It is easy to measure the environment with one-way overpressure. Please install the balance valve.