

PW10A Series Pressure Switch

OVERVIEW

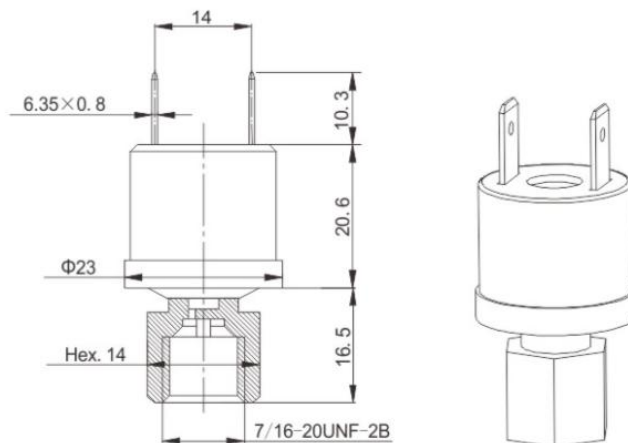
PW10A series pressure switch is a switch with automatic reset design, and a wide pressure setting range can be applied to different requirements. Used in air and water pressure control, internal wiring of electrical refrigeration equipment, indoor air conditioners or indoor cooling devices, household cooling systems, and internal wiring of remote outdoor condensing devices Typical application: safety device/air-conditioning refrigeration equipment.



SPECIFICATION

Medium	Air, water, refrigerant, engine oil, lubricating oil and other similar hydrocarbons		
Pressure range\error\pressure resistance	Operating pressure value MPa	Default error MPa (can be customized according to customers)	Withstand pressure MPa
	0.02~0.6(low pressure)	±0.05	1.5
	0.6~1.0	±0.07	3.5
	1.1~2.0	±0.1	4.5
	2.1~3.0	±0.15	
	3.1~4.5	±0.15	
Burst pressure	5000psi		
Temperature	Ambient temperature: low pressure -30~65°C high pressure -35~ 120°C; medium temperature: -50~120°C		
Switch form	Single pole single throw (normally open or normally closed), single pole double throw		
Electrical parameters	120Vac 6FLA, 40.2LRA; 240Vac 4FLA, 26LRA;120/240Vac 375VA; 36Vdc 3A		
Service life	100000		
Pressure port	1/8NPT, 1/4NPT, R1/8, R1/4, G1/8, G1/4, 7/16UNF etc.		
Electrical connections	6.35*0.8; 4.8*0.8; wire connection (length and electrical plug can be customized)		

DIMENSION



PW10C Series Pressure Switch

OVERVIEW

PW10C series pressure switch is a switch designed for automatic reset, used in a vacuum environment. It is suitable for the vacuum brake system of electric vehicles.



SPECIFICATION

Medium	Air, water, refrigerant, engine oil, lubricating oil and other similar hydrocarbons		
Pressure range\error	Action pressure value Mpa	Reset pressure Mpa	Error Mpa
	-0.05~-0.08	-0.025~-0.06	±0.005
	Differential pressure ≥0.25		
Resistant pressure	1Mpa		
Temperature	Ambient temperature: low pressure -20~65°C		
Switch form	Single pole single throw (normally open or normally closed)		
Electrical parameters	120Vac 6FLA, 40.2LRA; 240Vac 4FLA, 26LRA; 120/240Vac 375VA; 36Vdc 3A		
Service life	300000		
Pressure port	1/8NPT, 1/4NPT, G1/8, G1/4, etc.		
Electrical connections	6.35*0.8; 4.8*0.8; wire connection (length and electrical plug can be customized)		

DIMENSION

