

**PW120 Mechanical Adjustable Pressure Switch**
**MAIN FEATURES**

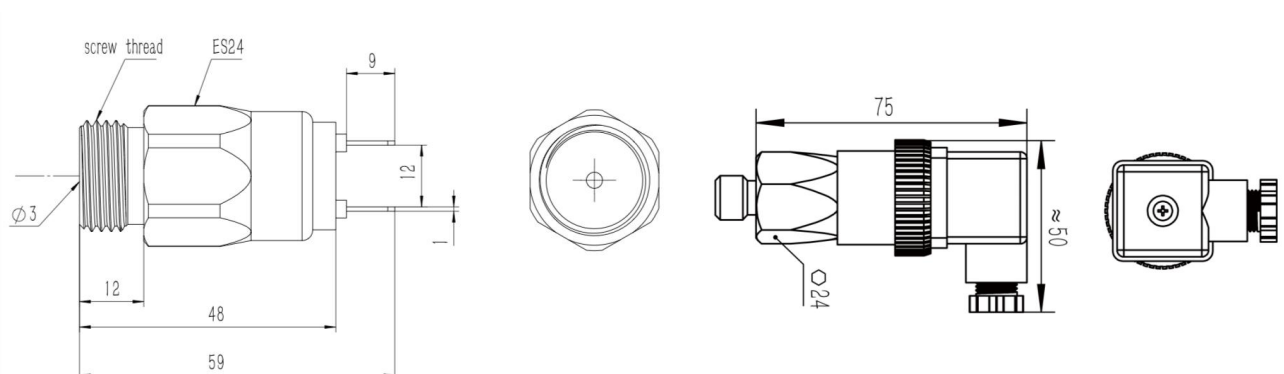
- Compact structure, DN standard plug, extremely convenient wiring,
- Wide measuring range (0-400bar).
- High overload capacity (up to 1230bar), high repeatability
- With normally open or normally closed contacts, contacts gold-plated, contact capacity.
- Can be used for water, oil, gas pressure measurement.

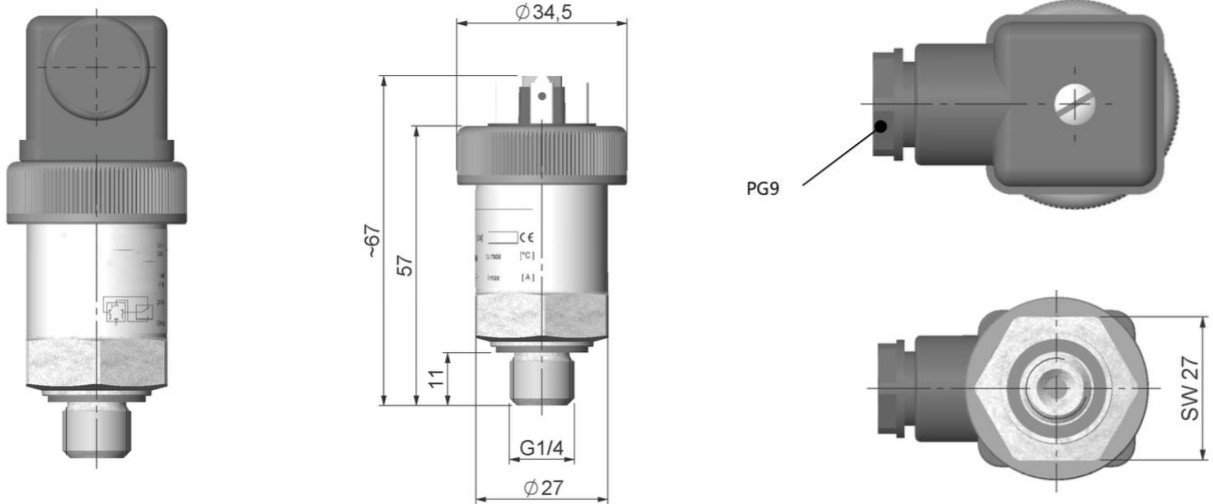

**PRINCIPLE STRUCTURE**

The inner piston is connected to the spring of tightness. When the pressure changes, the spring stretching amount changes correspondingly. When the pressure reaches the set value, it will trigger the preset mechanical structure and send out a switch signal.

**SPECIFICATION**

Range	See the following table for details
Lag	10~20% set value (25-35%, 1-5% optional)
Error	3% set
Output	Normally open+normally closed contacts gold-plated ≤DC 42V, 1A, ≤DC 115V, 0.15V, ≤DC 42V, 3A, ≤DC 125V, 3A, ≤DC250V, 0.5A
Medium temperature	-20~85°C (-40~160°C optional)
Protection level	IP65
Wiring mode	Terminal wiring
Cardiac material	Iris: NBR
Piston	Steel piston with NBR seal
Process connection	Galvanized steel/stainless steel
Enclosure	Engineering plastic
Working life	1 million times
Max. Pressure	Diaphragm type 30Mpa Piston type 60Mpa

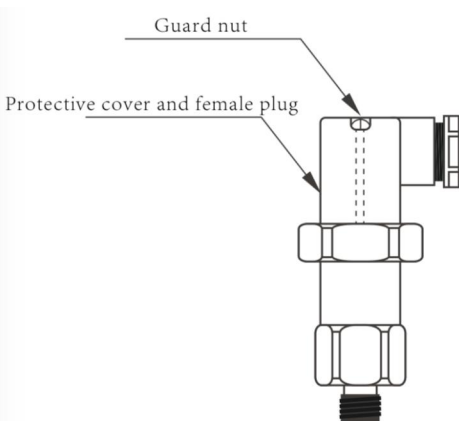
**DIMENSION (mm)**




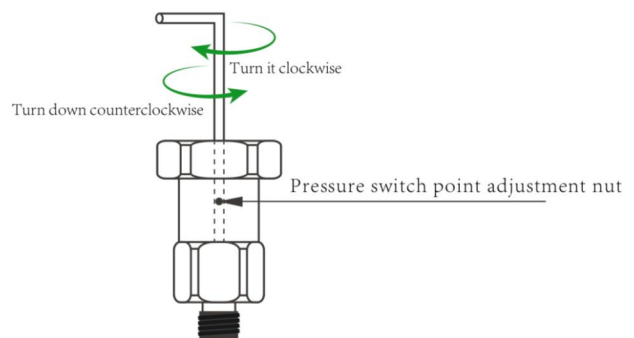
**PARAMETER TABLE**

Interface material	Max. Allowable pressure (bar)	Setting range(bar)	Error	Fixed hysteresis	Weight
Film type	300	0.2~2.5	3% set point	15~25% set point	0.1kg
	300	0.8~5.0			
	300	1~12			
	300	5~50			
Piston type	600	10~100	3% set point	15~25% set point	0.1kg
	600	20~200			
	600	50~400			

**ACCOMMODATION MODE**



Step 1: loosen the nut of the cover with a screwdriver and remove the cover and the female plug (do not rotate the herman connector left or right when taking it off to avoid damage to the internal wiring)



Step 2: adjust the pressure switch point size with a screwdriver according to the figure above. Make it bigger clockwise and smaller counterclockwise.

**OPTIONAL ACCESSORIES**



**A type**

Protective cap  
With single wire hole  
Applicable to diameter  
1.5 5 mm cable



**B type**

Protective cap  
With double hole  
Applicable to diameter  
1.7 2.2 mm cable



**C type**

DIN43650 Electric plug

**ORDER CODE**

PW120	Range	Material	Output	Thread size
-	0-600Bar	L= Galvanized steel	NO=normal open	G12=G1/2
		S= Stainless steel 304	NC=normal closed	G14=G1/4
				N14=NPT1/4
				M20=M20*1.5
				More customized

Note: special thread shape requirements can be customized, in the type suffix plus requirements.

1bar=1.02kg/cm squared=0.1MPa

Prompt order

After the selection, please check the information again, in case of wrong selection!

1. Is the model consistent with your requirements
2. Whether the range is correct
3. Whether the type and quantity of output signals are correct
4. Whether there are loopholes in the options and attachments