

PW130 Mechanical Pressure Switch
MAIN FEATURES

- Max. Pressure 250bar
- Set range from 6~40bar to 40~250bar
- High repeatability
- Large contact capacity of 250VAC, 3A
- Compact design, compact size
- Suitable for both gas and liquid measurement
- SPDT output (normally open +normally closed)


PRINCIPLE STRUCTURE

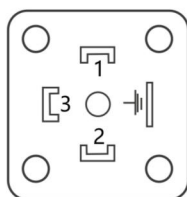
PW130 series pressure switches are made of thin film (low pressure) or piston (high pressure) measuring elements and can be used for gas or liquid pressure detection. When the pressure reaches a set point, the moving part triggers a spring supported micro switch. Panel mount. Can measure neutral gas, air, lubricating oil, oil and other media.

SPECIFICATION

Measuring medium	Liquid or gas
Pressure range	See technical parameters
Repeatability	≤3% (depending on the set point)
Output	Gold-plated contact micro switch SPDT (normally open+normally closed)
Switching capacity	No signal:30VDC, 2A 250VAC, 3A With signal: 24~250V, 0.6A
Regulation mode	Hexagon socket screws
Switching frequency	MAX. 100 times/min
Ambient temperature	-20~80°C
Medium temperature	-20~85°C
Material	Shell: steel/aluminum Contact liquid material: NBR, aluminum/steel/stainless steel
Process connection	aluminum/steel/stainless steel optional
Outgoing mode	Solenoid vale joint

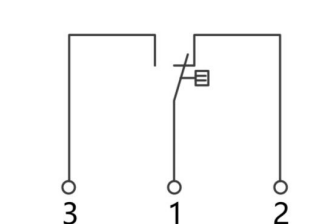
WIRING DIAGRAM

Connection diagram

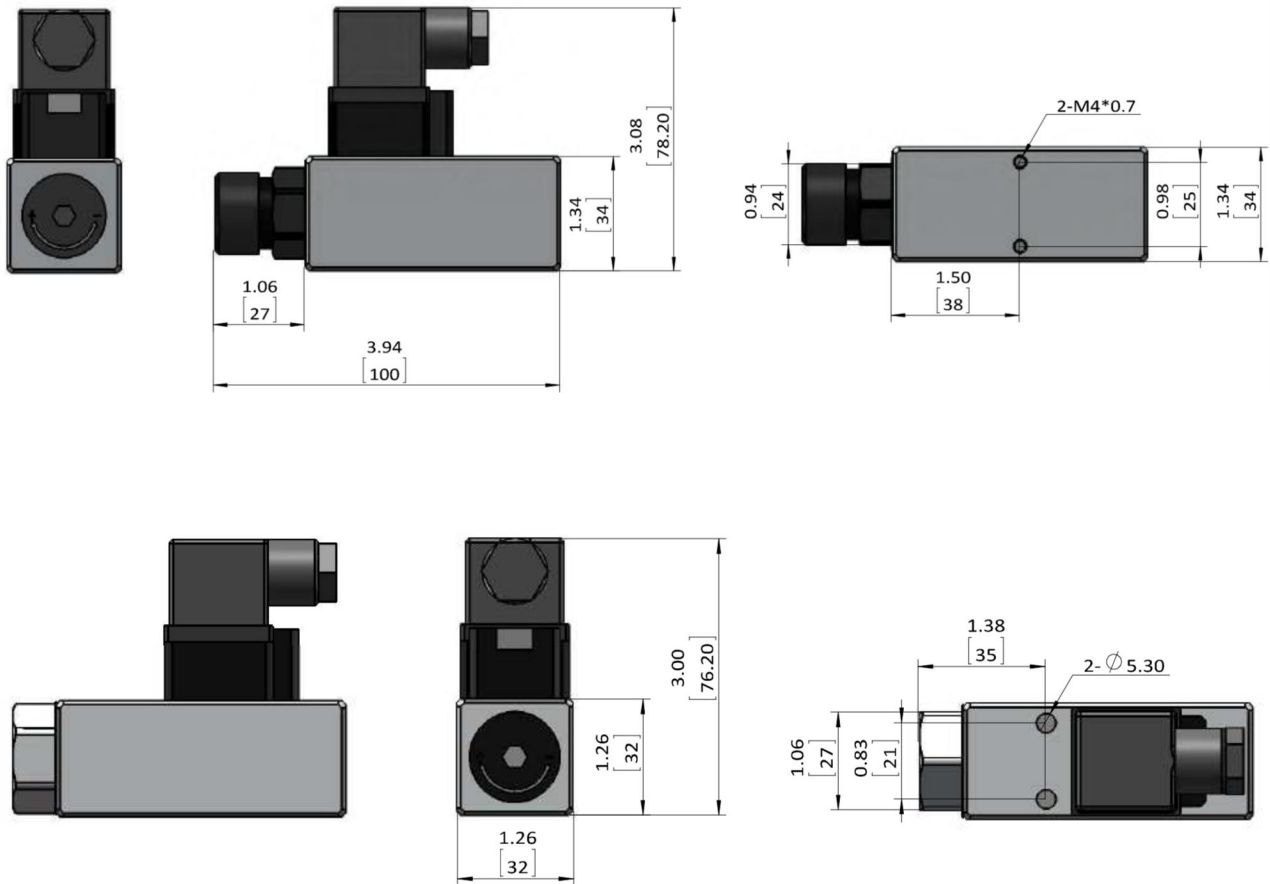


Solenoid valve plug

Micro switch



DIMENSION (mm)



ORDER CODE

PW130	Range	Material	Thread size
-	0-80Bar	L=anodized alumina	G12=G1/2
	0-250Bar	S= Stainless steel 304	G14=G1/4
			N14=NPT1/4
			M20=M20*1.5
			More customized

* Specification can be customized according to customers' requirements.