

PW219 Electronic Digital Pressure Switch
MAIN FEATURES

- The 4 digit number shows the current pressure value.
- Pressure preset switch point and delay switching output
- The shell is equipped with node action led for easy observation
- Key adjustment and field setting of various parameters
- 1-2 channels of switching value output, switching value can be arbitrarily set between zero point and full degree
- PNP, NPN and relay, and the analog output (4-20mA) switch type


OVERVIEW

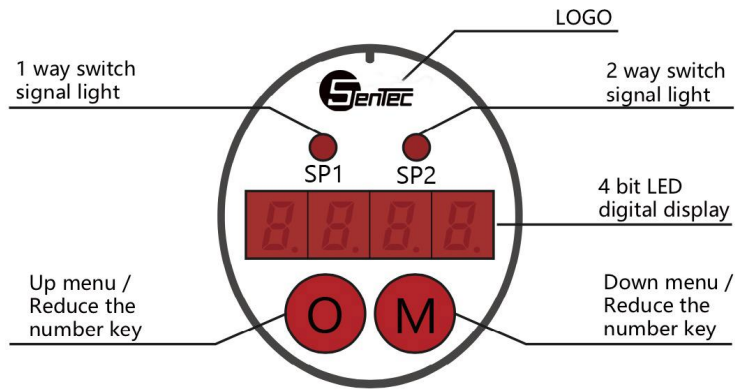
PW219 series pressure switch is a measurement and control component integrating pressure measurement and control. This series of products mainly use silicon piezoresistive pressure sensors as the pressure sensitive core, and can also be equipped with pressure sensors such as ceramic capacitors, sapphire, and sputtering films. After programmable digital circuit correction and signal conditioning, they can output standard industrial application signals and switches. quantity signal. Depending on the mode of use, the product can output 1 to 4 sets of switching signals, which can control up to 4 pressure points. Customers can freely set the switch point according to their needs.

PW219 series pressure switch faithfully serves various fluid measurement industries with its excellent performance. Especially in water treatment, power, medicine, and other industries, it has good adaptability and application advantages.

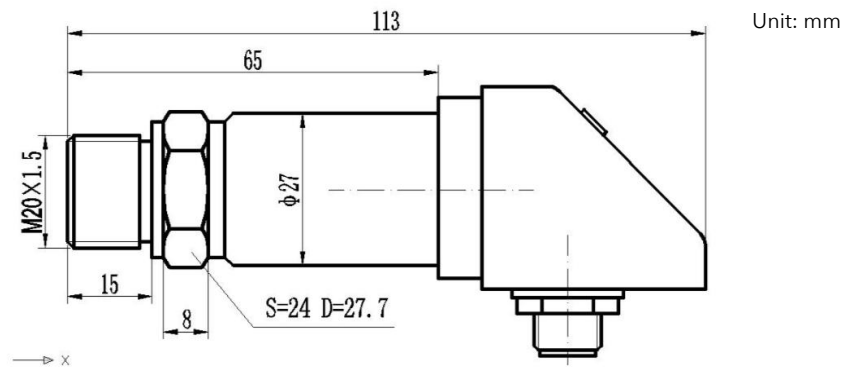
SPECIFICATION

Items	Parameter
Range	-0.1MPa...0kPa~10kPa...100MPa
Overload capability	Below 10MPa \leq 2 times full scale, 10MPa and above \leq 1.5 times full scale
Pressure Type	G (gauge pressure), A (absolute pressure), S (sealed gauge pressure)
Accuracy	0.1% (custom), 0.25% (typical), 0.5% (maximum)
Long-term stability	\pm 0.1%FS/year (typical), \pm 0.2%FS/year (maximum)
Zero temperature drift	\pm 0.03%FS/ $^{\circ}$ C (\leq 100kPa), \pm 0.02%FS/ $^{\circ}$ C ($>$ 100kPa)
Sensitivity temperature drift	\pm 0.03%FS/ $^{\circ}$ C (\leq 100kPa), \pm 0.02%FS/ $^{\circ}$ C ($>$ 100kPa)
Compensation temperature	0 $^{\circ}$ C~50 $^{\circ}$ C(\leq 100kPa), -10 $^{\circ}$ C~70 $^{\circ}$ C($>$ 100kPa)
Working temperature	-40 $^{\circ}$ C~80 $^{\circ}$ C
Power supply	12~ 30V
Live display	4-digit LED or LCD
Output Signal	relay contact
Setting range	Lower limit: 0 to the lowest value of the upper limit; Upper limit: the highest value of the lower limit to the highest value of the upper limit
Protection level	IP66

PANEL FUNCTION



DIMENSION



ELECTRIC CONNECTION



Optional accessories – electrical accessories

name	Outline drawing/dimension drawing (mm)	material	model	M12* 1-4pin /5Pin self-connector/size drawing (mm)	model
M12*1-5Pin (2m cable)		PUR	ZL05-PU02G		GL04 (4Pin joint)
M12*1-5Pin (5m cable)			ZL05-PU05G		
M12*1-5Pin (10m cable)		PVC	ZL05-PC02G		GL05 (5Pin joint)
M12*1-5Pin (2m cable)			ZL05-PC05G		
M12*1-5Pin (5m cable)		PUR	ZL05-PC10G		WL04 (4Pin joint)
M12*1-5Pin (10m cable)			ZL05-PU02W		
M12*1-5Pin (2m cable)		PVC	ZL05-PU05W		WL05 (5Pin joint)
M12*1-5Pin (5m cable)			ZL05-PU010W		
M12*1-5Pin (10m cable)		PVC	ZL05-PC02W		WL05 (5Pin joint)
M12*1-5Pin (2m cable)			ZL05-PC05W		
M12*1-5Pin (5m cable)		PVC	ZL05-PC10W		WL05 (5Pin joint)
M12*1-5Pin (10m cable)			ZL05-PC10W		

ORDER CODE

Code:	A	-	B	-	C	-	D	-	E	-	F	-	G
PW219	A	-	M	-	0-50bar	-	S	-	S	-	G 1/2	-	2S

Model type	Code A
Standard type	A
Hygienic type	C
Differential pressure type	D
Electric connection type	Code B
Hirschmann connector	H
M12 connector	M
Aviation plug	A
More customized	C
Pressure Range(X=specific range)	Code C
-1Bar ~1000Bar (standard type)	X Bar
-1Bar ~60Bar(Hygienic type)	X Bar
0Bar ~25Bar(DP type)	X Bar
Accuracy	Code D
0.1% (custom)	C
0.25%(typical)	T
0.5%(standard)	S
Interface material	Code E
SS304	S
SS316L	L
Other customized	C

Process connection	Code F
G1/2	G1/2
M20*1.5	M20
G1/4	G1/4
G1/8	G1/8
1/2NPT	1/2NPT
3/8NPT	3/8NPT
1/4NPT	1/4NPT
1/4PT	1/4PT
1/8NPT	1/8NPT
1.5 inch chuck (outer diameter 50.5mm)	
2 inch chuck (outer diameter 64mm)	
DN25 flange (GB/T)	
DN50 flange (GB/T)	
Diaphragm type G1 male thread	
More customized	C
Output	Code G
Two switch outputs	2S
Switch output + analog output(0...20/4...20mA)	2A
Switch output + analog output(0...5/1...5V)	5V
Switch output + analog output(0...10/1...10V)	10V
PNP output	P
NPN output	N