

PW440 Intelligent Pressure Controller
MAIN FEATURES

- 4-digit high brightness LED digital tube display
- The control point can be set arbitrarily from zero point to full range
- 1-5 relay outputs with load capacity of 220V / 3A
- Key adjustment and field setting of various parameters
- Standard analog output 4-20mA, digital RS485 (optional)
- There are two ways of vertical installation and axial installation


OVERVIEW

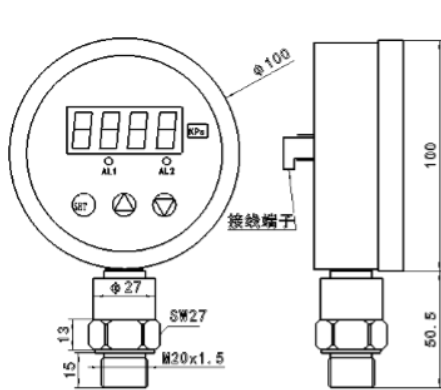
PW440 series pressure transmission controller is a full digital measurement and control product integrating pressure / differential pressure measurement, display, contact control and transmission output. It can set zero point value, full degree value, contact pressure / differential pressure value and other parameters on site with the key. It is widely used in hydropower, tap water, petroleum, chemical, mechanical, hydraulic and other industries to measure, display and control the pressure / differential pressure of fluid medium.

SPECIFICATION

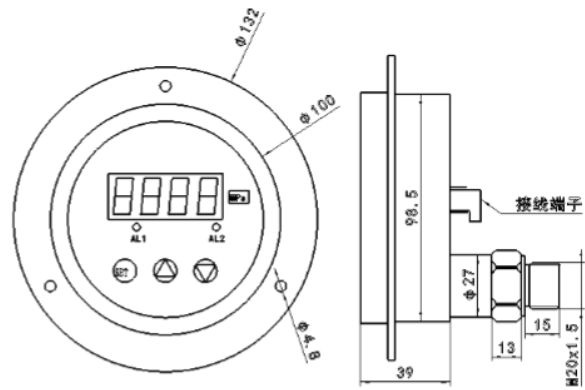
Control range	-0.1~0.1~100MPa
Overload ability	1.5%(full range)
Accuracy	±0.1%FS;±0.25%FS;±0.5%FS
Signal output	4~20mA, RS485
Power supply	24VDC,220VDC, 220VAC
Control point	1~5 control point
Load capacity	220V/3A(AC)
Display range	-1999~9999
Maximum power	< 3.5W
Long stability	≤0.5% /year
Ambient temperature	-30°C~60 °C
Medium temperature	-10°C~80 °C (High temperature customized)
Relative humidity	0~80%
Protection grade	IP65
Installation method	Vertical and axial installation
Shell material	stainless steel
Pressure sensitive film	316L stainless steel
Electrical connection	KF2EDG terminal block or RVVP cable

TYPICAL DIMENSION

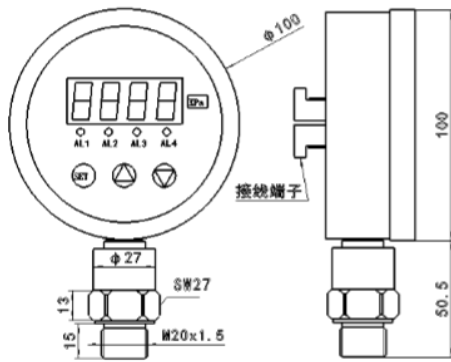
Unit: mm



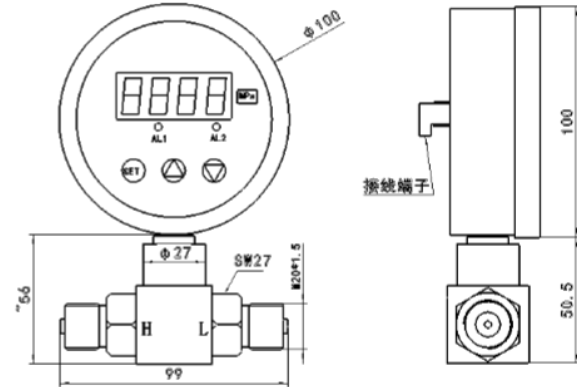
A-2



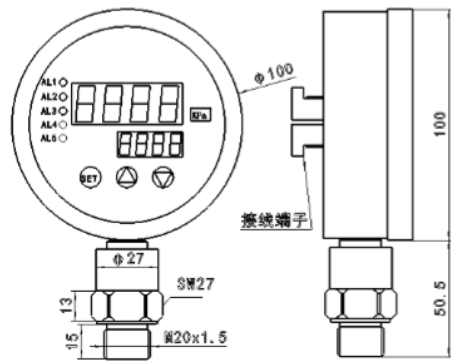
Z



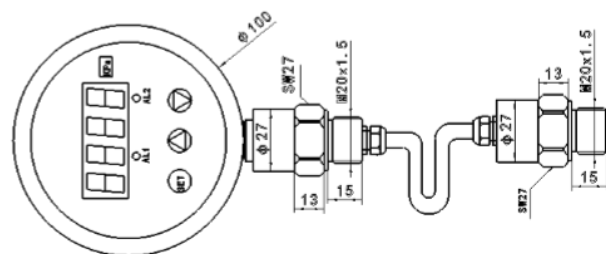
A-4



C-2



A-5



X

ORDER CODE

Code:	A	-	B	-	C	-	D	-	E	-	F	-	G
PW440	A	-	2	-	0-50bar	-	V	-	L	-	G 1/2	-	11

Model type	Code A
Standard type Φ 100 dial radial	A
Differential pressure type	C
Axial installation	Z
Split style	X
Control points	Code B
2 groups of control points	2
4 groups of control points	4
5 groups of control points	5
Pressure Range(X=specific range)	Code C
-0.1MPa ~100MPa	X MPa
-1Bar ~1000Bar	X Bar
-15psi ~15000psi	X psi
Power supply	Code D
220VAC/DC	V
24VDC	D
Interface material	Code E
SS304	S
SS316L	L
Other customized	C

Process connection	Code F
G1/2	G1/2
M20*1.5	M20
G1/4	G1/4
G1/8	G1/8
1/2NPT	1/2NPT
3/8NPT	3/8NPT
1/4NPT	1/4NPT
1/4PT	1/4PT
1/8NPT	1/8NPT
More customized	C
Output	Code G
Without output	10
4-20mA	11
RS485	12
4-20mA+RS485	13

Order remarks:

- ① The terminals of this series of products are located at the back of the stainless steel shell. In order to prevent accidents caused by external environmental factors, it is suggested that the users should protect the products at the installation site to prevent the products from being damaged by lightning, rain, etc;
- ② When selecting users of differential pressure products, pay attention to the relationship between the range of differential pressure and the allowable overpressure of positive and negative pressure chambers and the maximum pressure, and conform to the requirements of field use. In order to ensure the safe and reliable operation of the product, it is recommended to install a three valve manifold between the tested point and the product, so that the tested medium is slowly and evenly added to the positive and negative pressure chambers of the product;
- ③ Please indicate the tested medium when selecting the user, so that our company can judge whether the medium has corrosiveness or other density problems;
- ④ The thread interface can be customized according to the user's requirements, which shall be indicated in the contract;
- ⑤ If the user has special requirements on the performance parameters and functions of the product, please consult with our company