

PW450 Intelligent Explosion-Proof Pressure Switch Controller
MAIN FEATURES

- Explosion proof shell, high protection level
- 4-digit LED digital displays the current pressure value
- The control point can be set arbitrarily from zero point to full range
- 1-5 relay outputs with load capacity of 220V / 3A
- Key adjustment and on-site setting of various parameters
- Standard analog output 4-20mA, digital RS485 (optional)


OVERVIEW

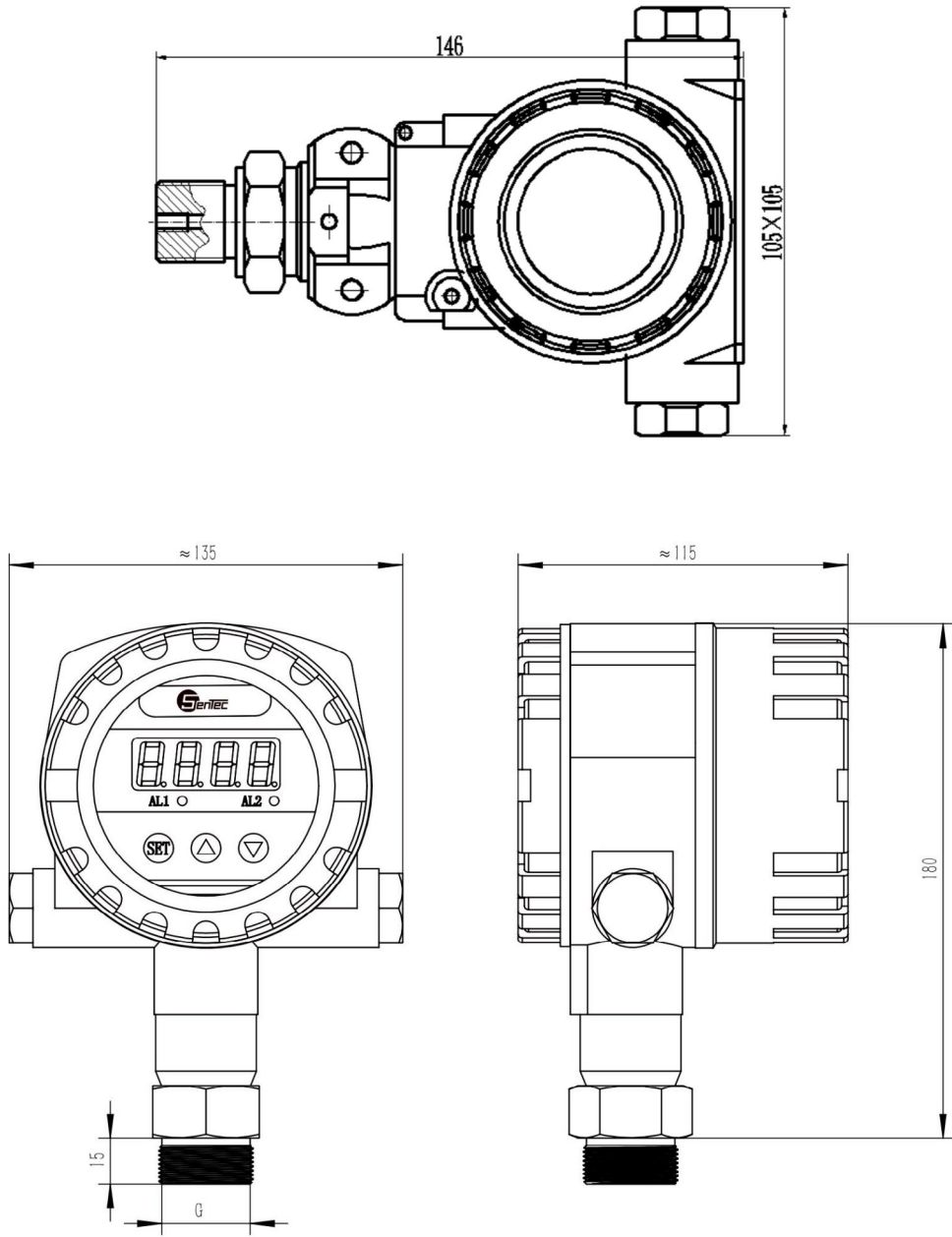
PW450 series pressure transmission controller is a full digital measurement and control product integrating pressure / differential pressure measurement, display, contact control and transmission output. They mainly use silicon piezoresistive pressure sensor as the pressure sensitive core, and can also be equipped with pressure sensors such as ceramic capacitors, sapphire, sputtered film, etc., through programmable digital circuit correction and signal conditioning, output standard industrial signals, switches and quantity signal. Depending on the mode of use, the product can output 1 to 4 sets of switching signals for up to 4 pressure points. Customers can freely set switch points according to their needs. It can set zero point value, full degree value, contact pressure / differential pressure value and other parameters on site with the key.

Widely used in chemical, mechanical, hydrological, electric power systems, gas pressure control and automatic control, external intermediate relays can complete a variety of control functions.

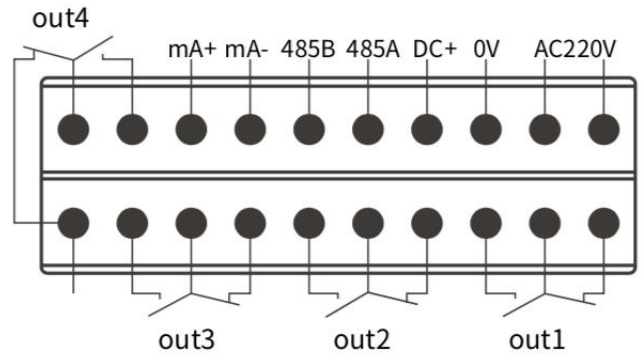
SPECIFICATION

Control range	-0.1~0.1~100MPa
Overload ability	1.5%(full range)
Accuracy	±0.1%FS;±0.25%FS;±0.5%FS
Signal output	Relay output Relay output +4mA~20mA High and low level output
Power supply	24VDC,220VDC, 220VAC
Control point	1~5 control point
Load capacity	220V/3A(AC)
Display range	-1999~9999
Maximum power	< 3.5W
Long stability	≤0.5% /year
Ambient temperature	-30°C~60 °C
Medium temperature	-10°C~80 °C (High temperature customized)
Relative humidity	0~80%
Protection grade	IP65
Installation method	Vertical installation
Shell material	Cast aluminum shell
Pressure sensitive film	316L stainless steel
Electrical connection	KF2EDG terminal block

DIMENSION (mm)



TYPICAL WIRING



ORDER CODE

Code:	A	-	B	-	C	-	D	-	E	-	F	-	G
PW450	A	-	2	-	0-50bar	-	V	-	L	-	G 1/2	-	11

Model type	Code A
Standard type Φ 100 dial radial	A
Differential pressure type	C
Axial installation	Z
Split style	X
Control points	Code B
2 groups of control points	2
4 groups of control points	4
5 groups of control points	5
Pressure Range(X=specific range)	Code C
-0.1MPa ~100MPa	X MPa
-1Bar ~1000Bar	X Bar
-15psi ~15000psi	X psi
Power supply	Code D
220VAC/DC	V
24VDC	D
Interface material	Code E
SS304	S
SS316L	L
Other customized	C

Process connection	Code F
G1/2	G1/2
M20*1.5	M20
G1/4	G1/4
G1/8	G1/8
1/2NPT	1/2NPT
3/8NPT	3/8NPT
1/4NPT	1/4NPT
1/4PT	1/4PT
1/8NPT	1/8NPT
More customized	C
Output	Code G
Without output	10
Relay output	11
Relay output +4mA~20mA	12
High and low level output	13
4-20mA	14
RS485	15
4-20mA+RS485	16

Order remarks:

- ① When selecting users of differential pressure products, pay attention to the relationship between the range of differential pressure and the allowable overpressure of positive and negative pressure chambers and the maximum pressure, and conform to the requirements of field use. In order to ensure the safe and reliable operation of the product, it is recommended to install a three valve manifold between the tested point and the product, so that the tested medium is slowly and evenly added to the positive and negative pressure chambers of the product;
- ② Please indicate the tested medium when selecting the user, so that our company can judge whether the medium has corrosiveness or other density problems;
- ③ The thread interface can be customized according to the user's requirements, which shall be indicated in the contract;
- ④ If the user has special requirements on the performance parameters and functions of the product, please consult with our company