

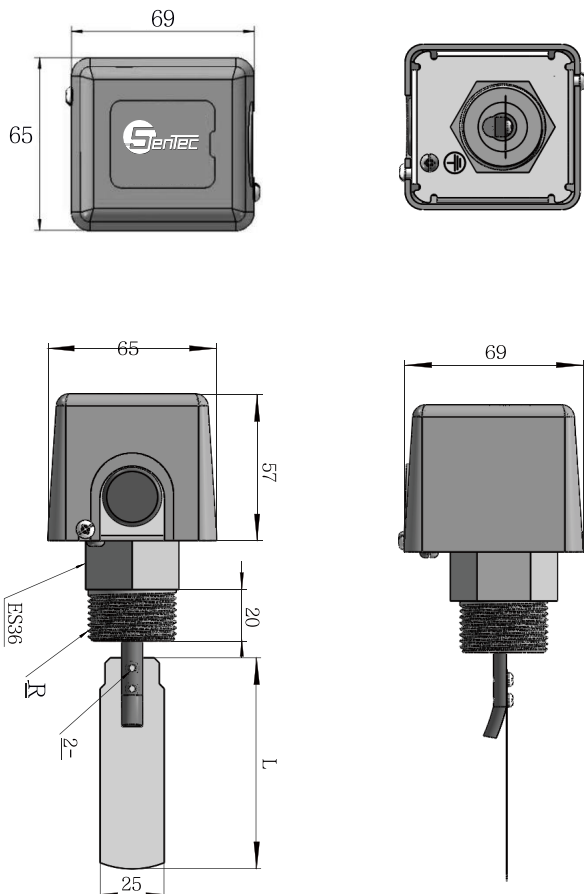
FST200 Baffle flow switch



IP67 Protective shell

Size chart

(mm)



principle characteristics

Mechanical flow switch, with built-in spring supported baffle, triggers the fretting switch when the flow reaches the prefabricated value.

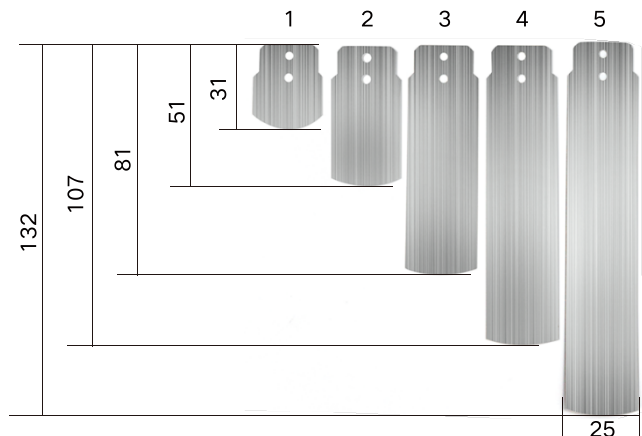
SPDT output, small pressure loss, complete isolation between mechanical and electronic parts/large flow range, easy to adjust and set, the switch factory standard with a set of baffling (5 pieces), can be used flexibly according to the field, suitable for a variety of pipelines, the switch has high reliability and good repeatability, anti-pollution ability.

product application

Gas-liquid dual, industrial automation/mechanical equipment/air compression industry/refrigeration and air conditioning suitable for diameter ≥ 25 mm pipe.

Technical parameters

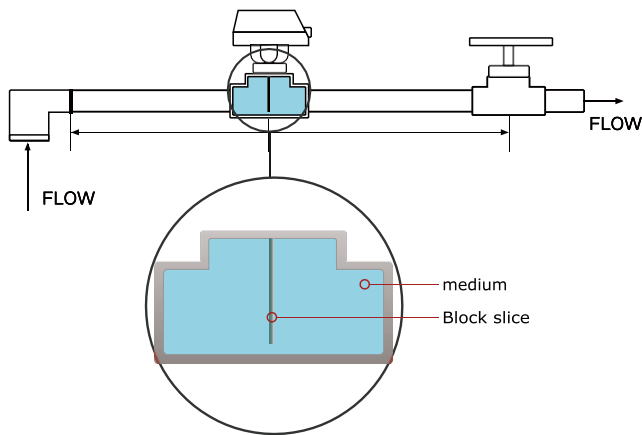
- ◇ scope setting: see the table below
- ◇ Reproducibility: $\pm 2.5\%$ of the total range
- ◇ Wiring mode: terminal wiring
- ◇ output: switch normally on + normally off (250VAC,3A)
- ◇ Withstand pressure: 16bar
- ◇ Average pressure loss: 0.08bar(at maximum flow)
- ◇ ambient temperature: $-25 \dots 80^\circ\text{C}$
- ◇ Dielectric temperature: 90°C
- ◇ Interface thread: R1 thread
- ◇ protection level: IP33
- ◇ His material
 - main body: stainless steel
 - process connections: brass
 - Connecting rod: brass
- ◇ baffle: stainless steel
- ◇ seal: NBR
- ◇ shell: ABS



Parameter table Suitable for pipe diameter $\leq 125''$

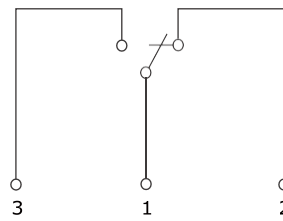
Installation tube size (DN)	model	Apply to baffle number	pressure (bar)	adjustable range L/min	hysteresis L/min	weight(Kg)
1''	FST200-025M	1	16	20...48	8	0.55
1 1/4''		1	16	34...100	10	
1 1/2''		1	16	65...160	14	
2''		1	16	120... 280	26	
2 1/2''		1	16	210... 550	18	
3''		1	16	380... 750	20	
2''		2	16	40...140	18	
2 1/2''		2	16	110... 340	15	
3''		2	16	180... 470	18	
4''		4	16	350... 920	20	
3''		3	16	115... 220	20	
4''		3	16	210... 590	20	
5''		3	16	380...1200	40	
6''		3	16	550...1800	80	

Installation drawing



! The baffle and the medium flow direction are installed vertically at 90° .

wiring diagram



Applicable medium



Selection table (note: special customization issupported)

FC300-	025	M	-	detail
FST200-				FST200-Baffle type flow switch
	025			screw thread interface R1
		M		External thread
			-	Factory Default Protective Housing
			L	IP67 Protective shell

Prompt order

1. When ordering, please indicate medium flow direction, medium type, pipe diameter and expected setting value. We can help you to complete the setting before delivery.
2. If it is a viscous medium, please indicate the viscosity, temperature and type of medium.
3. For gaseous medium, please indicate pressure (gauge pressure/absolute pressure), temperature and medium type.
4. The micro switch can be imported according to customer demand two options.