

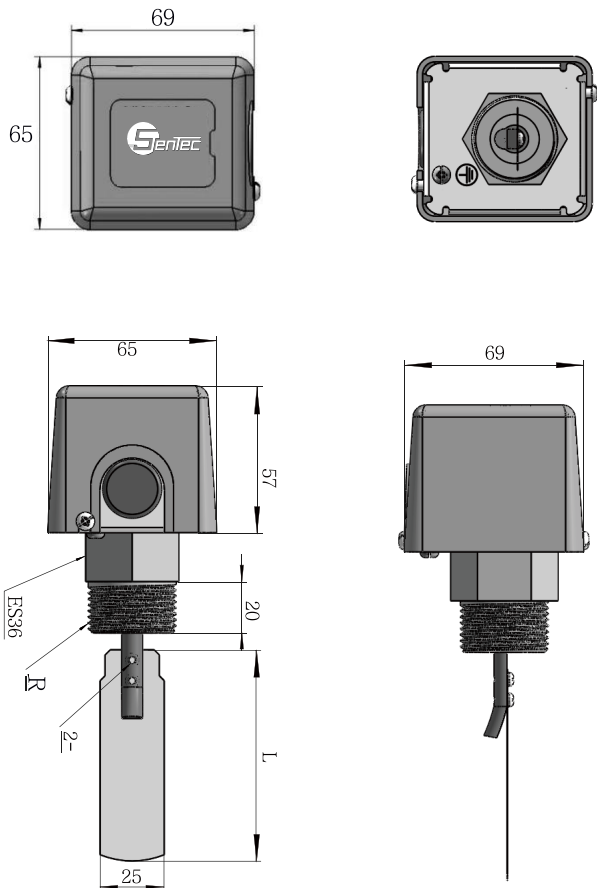
FST210 Baffle Flow Switch



IP67

Size chart

(mm)



principle characteristics

Mechanical flow switch with built-in spring-supported baffle. When the flow reaches the prefabricated value, the mechanical structure triggers the microswitch.

SPDT output, small pressure loss, mechanical part and electronic part complete isolation/flow range is large, easy to adjust and set, switch factory standard with a set of baffle (5 pieces), can be flexibly combined according to the situation, suitable for a variety of pipelines, switch has high reliability and good repetition, strong anti-pollution ability.

product application

FST210 Gas-liquid dual-purpose, industrial automation/mechanical equipment/air compression industry/refrigeration and air conditioning for pipes with diameter $\geq 25\text{mm}$.

Technical parameters

◇ Setting scope: See the following table for details

◇ Repeatability: $\pm 2.5\%$ total range

◇ Wiring method: Terminal wiring

Output: Normally on/normally off (250VAC,3A)

◇ Withstand pressure: 16bar

◇ Average pressure loss: 0.08bar(when flow is at its maximum)

◇ Ambient temperature: $-25\text{...} 80\text{ }^{\circ}\text{C}$

◇ Media temperature: $90\text{ }^{\circ}\text{C}$

◇ Interface thread: R1 thread

◇ Protection level: IP33

◇ material

◇ Main body: stainless steel

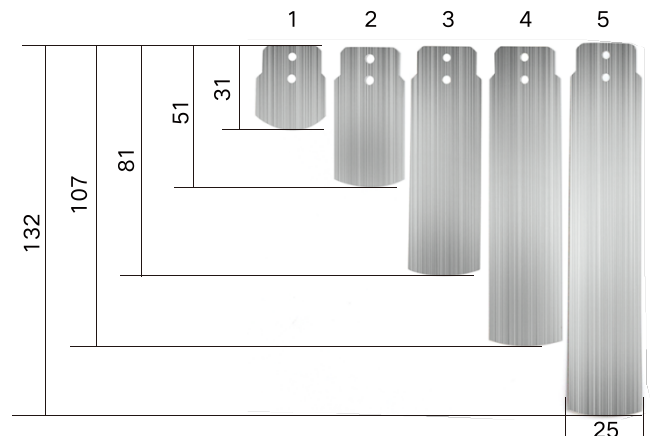
◇ Process connections: stainless steel

◇ Connecting rod: stainless steel

◇ Baffle: stainless steel

◇ Sealed: NBR

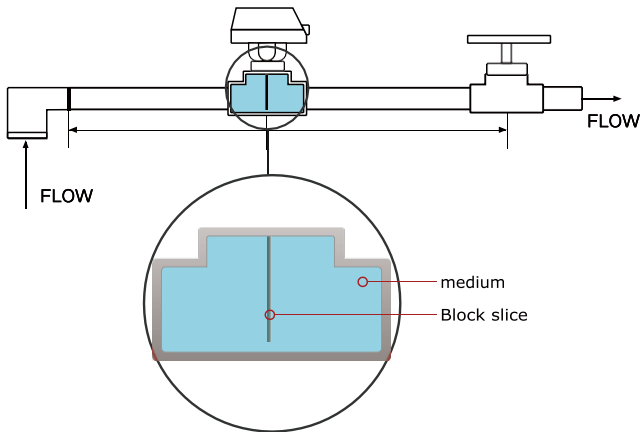
◇ Shell: ABS



Parameter table Suitable for pipe diameter ≤ 125"

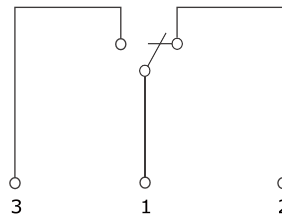
Installation tube size (DN)	model	Apply to baffle number	pressure (bar)	adjustable range L/min	hysteresis L/min	weight(Kg)
1"	FST210-025M	1	16	20-48	8	0.55
1 1/4"		1	16	34-100	10	
1 1/2"		1	16	65-160	14	
2"		1	16	120-280	26	
2 1/2"		1	16	210- 550	18	
3"		1	16	380- 750	20	
2"		2	16	40-140	18	
2 1/2"		2	16	110-340	15	
3"		2	16	180- 470	18	
4"		4	16	350- 920	20	
3"		3	16	115- 220	20	
4"		3	16	210-590	20	
5"		3	16	380-1200	40	
6"		3	16	550-1800	80	

Installation drawing



! The baffle and the medium flow direction are installed vertically at 90° .

wiring diagram



Applicable medium



Selection table (note: special customization is supported)

FST210	025	M	-	detail
FST210-				Baffle type flow switch
	025			screw thread interface R1
		M		External thread
			-	Factory Default Protective Housing
			L	IP67 Protective shell

Prompt order

1. When ordering, please indicate medium flow direction, medium type, pipe diameter and expected setting value. We can help you to complete the setting before delivery.
2. If it is a viscous medium, please indicate the viscosity, temperature and type of medium.
3. For gaseous medium, please indicate pressure (gauge pressure/absolute pressure), temperature and medium type.
4. The micro switch can be imported according to customer demand two options.