

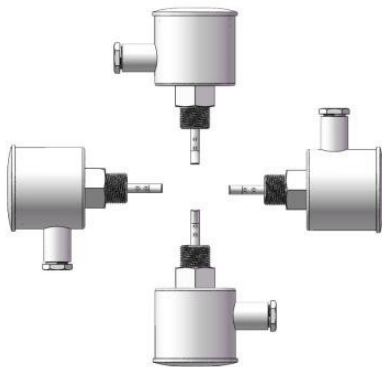
## FST220 Baffle EX type flow switch



### Applicable medium



### Installation



### principle characteristics

FST220 baffle flow switch is mainly an explosion-proof flow switch designed for industrial explosion-proof area. It is suitable for when the flow rate exceeds the set value, the fluid pushes the baffle and drives the micro switch on the top through the mechanical device in the flow switch.

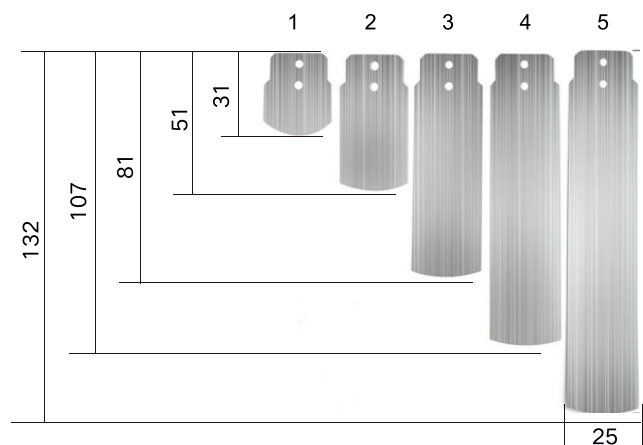
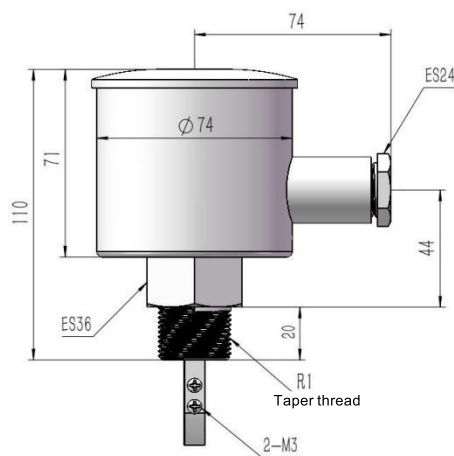
### product application

Gas-liquid dual type, fire protection industry/chemical industry/industrial automation/mechanical equipment/smelting equipment/hydraulic lubrication equipment.

### Technical parameters

- ◇ scope setting: see the table below
- ◇ Wiring mode: terminal wiring
- ◇ Output form: micro switch SPDT (normally open + normally closed) output
- ◇ Withstand pressure: 100bar
- ◇ Average pressure loss: 0.08bar(at maximum flow)
- ◇ ambient temperature: -25... 80 °C
- ◇ Dielectric temperature: 250°C
- ◇ Interface thread: R1 thread
- ◇ protection level: EX CT4
- ◇ His material
  - Main body: stainless steel
  - Process connection: stainless steel
  - Connecting rod: stainless steel
  - Baffle: stainless steel
  - Protective enclosure: stainless steel explosion-proof junction box

### Size chart (mm)



Parameter table Suitable for pipe diameter ≤125"

Install the pipe diameter (DN)	model	Apply to baffle number	pressure (bar)	adjustable range L/min	hysteresis L/min	weight (Kg)
1"	FST220-025M	1	16	20...48	8	0.55
1 1/4"		1	16	34...100	10	
1 1/2"		1	16	65...160	14	
2"		1	16	120... 280	26	
2 1/2"		1	16	210... 550	18	
3"		1	16	380... 750	20	
2"		2	16	40...140	18	
2 1/2"		2	16	110... 340	15	
3"		2	16	180... 470	18	
4"		4	16	350... 920	20	
3"		3	16	115... 220	20	
4"		3	16	210... 590	20	
5"		3	16	380...1200	40	
6"		3	16	550...1800	80	

Selection table (note: special customization is supported)

FST220	0 2 5	M	detailed
FST220-			Baffle type explosion-proof flow switch
	0 2 5		Thread connection R1
		M	External thread

**Prompt order**

1. When ordering, please indicate medium flow direction, medium type, pipe diameter and expected setting value. We can help you to complete the setting before delivery.
2. If it is a viscous medium, please indicate the viscosity, temperature and type of medium.
3. For gaseous medium, please indicate pressure (gauge pressure /absolute pressure), temperature and medium type.
4. The micro switch can be imported according to customer demand two options.