

FST230 Through baffle flow switch



IP67 Protective shell

Principle characteristics

Mechanical flow switch, with built-in spring supported baffle, triggers the fretting switch when the flow reaches the prefabricated value. On-line installation, minimal pressure loss, good repeatability, anti-fouling ability, accurate switch setting through knobs. The mechanical part is completely isolated from the electronic part.

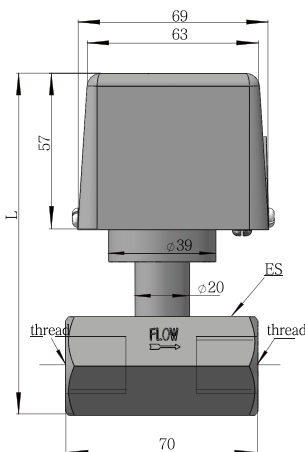
Product application

Gas-liquid dual type, industrial automation/mechanical equipment/air compression industry/refrigeration and air conditioning suitable for pipe diameter $\leq 50\text{mm}$.

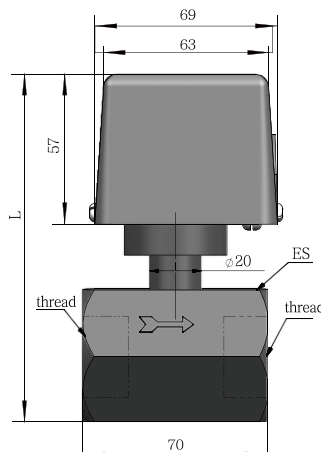
Technical parameters

◇ scope setting:	see the table below	◇ protection level:	IP33
◇ Repeatability:	± 2.5 total range	◇ main body:	stainless steel
◇ Wiring mode:	terminal wiring	◇ process connections:	brass
◇ output:	normally open + normally closed (250VAC,3A)	◇ Connecting rod:	brass
◇ Withstand pressure:	16bar	◇ baffle:	brass
◇ ambient temperature:	$-25 \dots 85$ °C	◇ shell:	ABS
◇ Dielectric temperature:	90°C	◇ seal:	NBR

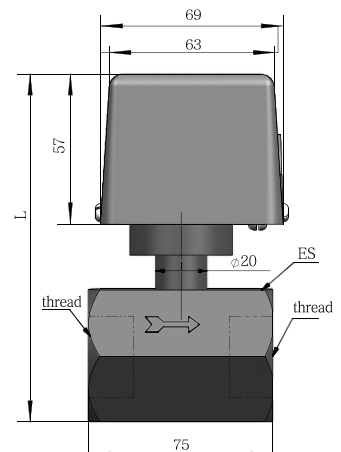
Size chart (mm)



thread	L(mm)	ES
R1/2	125	36
R3/4	125	36
R1	130	41



thread	L(mm)	ES
R1 1/4	132	50



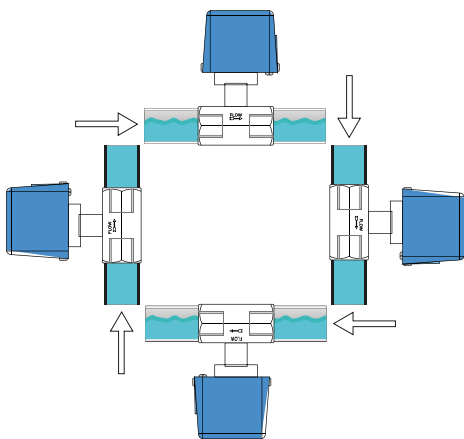
thread	L(mm)	ES
R1 1/2	134	55
R2	140	65

Selection table

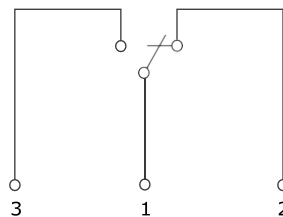
Pipe diameter (DN)	weight (Kg)	Interface thread	Block slice A/B	pressure (bar)	hysteresis L./min	adjustable range L./min	model
15	< 1.5kg	R1/2" Internal thread	A	16	2	1.5-10	FST230-015RKA
15		R1/2" Internal thread	B	16	3	6-25	FST230-015RKB
20		R 3 / 4 " Internal thread	A	16	2	4.2 -18	FST230-020RKA
20		R 3 / 4 " Internal thread	B	16	3	8.3 -37	FST230-020RKB
25		R 1 " Internal thread	A	16	2	5.2 -23	FST230-025RKA
25		R 1 " Internal thread	B	16	4	10 - 48	FST230-025RKB
32		R 1 ' 1 / 4 " Internal thread	A	16	3	8.1 -39	FST230-032RKA
32		R 1 ' 1 / 4 " Internal thread	B	16	6	19 - 90	FST230-032RKB
40		R 1 ' 1 / 2 " Internal thread	A	16	5	15 - 69	FST230-040RKA
40		R 1 ' 1 / 2 " Internal thread	B	16	7	25 -111	FST230-040RKB
50		R 2 " Internal thread	A	16	6	30-100	FST230-050RKA
50		R 2 " Internal thread	B	16	8	50-150	FST230-050RKB

Note: special customization is supported. The above parameters are tested by installing the switch vertically in the horizontal pipeline with 20 ° C water as the medium.

Installation drawing



wiring diagram



Applicable medium



Prompt order

1. When ordering, please indicate medium flow direction, medium type, pipe diameter and expected setting value. We can help you to complete the setting before delivery.
2. If it is a viscous medium, please indicate the viscosity, temperature and type of medium.