

FST240 Through baffle flow switch



IP67 Protective shell

Principle characteristics

FST240 stainless steel straight-through flow switch is the upgraded MODEL of FST230 stainless steel with built-in spring spring-supported baffle. When the flow reaches the prefabricated value, the mechanical structure triggers the microswitch. In - line installation, minimal pressure loss, good repeatability, anti - fouling ability, accurate switch setting by knob. The mechanical part is completely isolated from the electrical part.

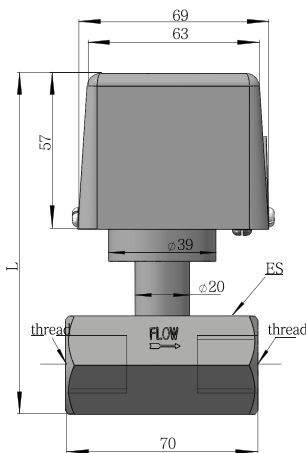
Product application

Vapor-liquid dual-purpose, industrial automation/mechanical equipment/air compression industry/refrigeration and air conditioning for pipes with diameter $\leq 40\text{mm}$.

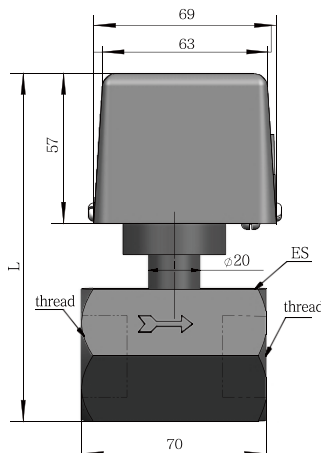
Technical parameters

◇ Setting scope: See the following table for details	◇ Protection level: IP33
◇ Reproducibility: ± 2.5 total range	◇ Main body: stainless steel
◇ Wiring method: Terminal wiring	◇ Process connections: stainless steel
◇ Output: normally open + normally closed (250VAC,3A)	◇ Connecting rod: stainless steel
◇ Withstand pressure: 16bar	◇ Baffle: stainless steel
◇ Ambient temperature: -25... 120 °C	◇ Shell: ABS
◇ Media temperature: 90°C	◇ Sealed: NBR

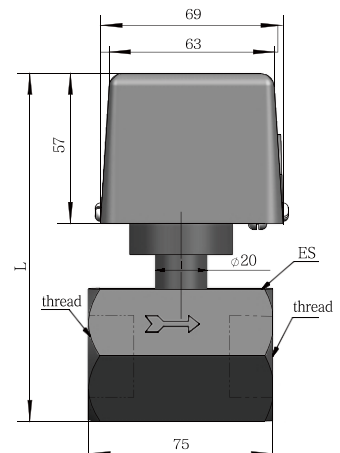
Size chart (mm)



thread	L(mm)	ES
R1/2	125	36
R3/4	125	36
R1	130	41



thread	L(mm)	ES
R1 1/4	132	50



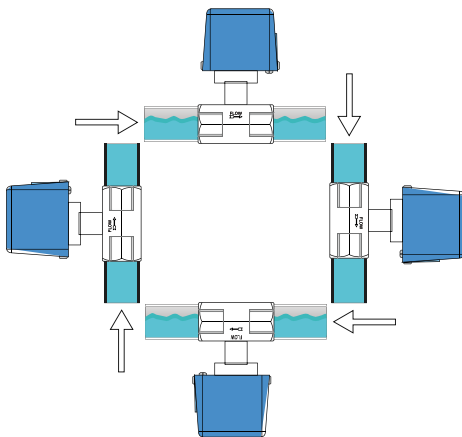
thread	L(mm)	ES
R1 1/2	134	55
R2	140	65

Selection table

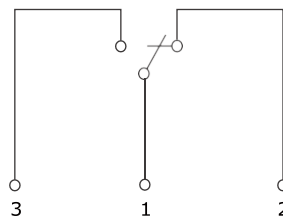
Pipe diameter (DN)	weight (Kg)	Interface thread	Block slice A/B	pressure (bar)	hysteresis L/min	adjustable range L/min	model
15	< 1.5kg	R1/2" Internal thread	A	16	2	1.5-10	FST240-015RKA
15		R1/2" Internal thread	B	16	3	6-25	FST240-015RKB
20		R 3 / 4 " Internal thread	A	16	2	4.2 - 18	FST240-020RKA
20		R 3 / 4 " Internal thread	B	16	3	8.3 - 37	FST240-020RKB
25		R 1 " Internal thread	A	16	2	5.2 - 23	FST240-025RKA
25		R 1 " Internal thread	B	16	4	10 - 48	FST240-025RKB
32		R 1 '1 / 4 " Internal thread	A	16	3	8.1 - 39	FST240-032RKA
32		R 1 '1 / 4 " Internal thread	B	16	6	19 - 90	FST240-032RKB
40		R 1 '1 / 2 " Internal thread	A	16	5	15 - 69	FST240-040RKA
40		R 1 '1 / 2 " Internal thread	B	16	7	25 - 111	FST240-040RKB
50		R 2 " Internal thread	A	16	6	30-100	FST240-050RKA
50		R 2 " Internal thread	B	16	8	50-150	FST240-050RKB

Note: special customization is supported. The above parameters are tested by installing the switch vertically in the horizontal pipeline with 20 ° C water as the medium.

Installation drawing



wiring diagram



Applicable medium



Prompt order

1. When ordering, please indicate medium flow direction, medium type, pipe diameter and expected setting value. We can help you to complete the setting before delivery.
2. If it is a viscous medium, please indicate the viscosity, temperature and type of medium.