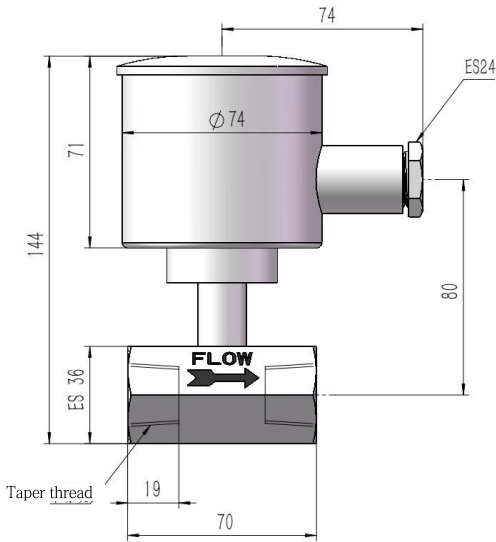


**FST250 Straight through EX flow switch**



Size chart (mm)



**Principle characteristics**

The FST250 straight explosion-proof flow switch is an upgraded FST240 explosion-proof version with a spring supported baffle built in. When the flow reaches the prefabricated value, the mechanical structure triggers the fretting switch. On-line installation, good repeatability, anti-pollution ability, through the knob to achieve the switch value setting.

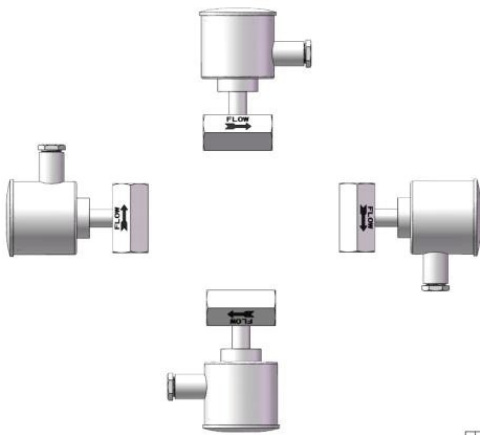
**Product application**

Gas-liquid dual type, industrial automation/mechanical equipment/air compression industry/cooling and air conditioning/fire protection industry/petrochemical industry and other special protection requirements.

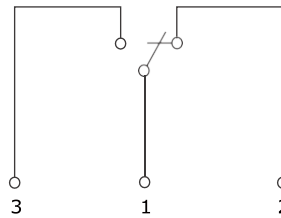
**Technical parameters**

- ◇ scope setting: see the table below
- ◇ Reproducibility:  $\pm 2.5\%$  of the total range
- ◇ Wiring mode: terminal wiring
- ◇ output: normally open + normally closed (250VAC,3A)
- ◇ Withstand pressure: 100bar
- ◇ Average pressure loss: 0.08bar(at maximum flow)
- ◇ Dielectric temperature: 250°C
- ◇ Protection grade: IP67
- ◇ His material
  - Main body: stainless steel
  - Process connection: stainless steel
  - Connecting rod: stainless steel
  - Baffle: stainless steel
  - Enclosure: stainless steel explosion-proof junction box

**Installation drawing**



**wiring diagram**



**Applicable medium**



Selection table

Pipe diameter (DN)	weight (Kg)	Interface thread	Block slice A/B	pressure (bar)	hysteresis L/min	adjustable range L/min	model
20	0.85	R3/4" Taper thread	A	100	2	4.2 - 18	FST250-020RKA
20		R3/4" Taper thread	B	100	3	8.3 - 37	FST250-020RKB
25		R1" Taper thread	A	100	2	5.2 - 23	FST250-025RKA
25		R1" Taper thread	B	100	4	10 - 48	FST250-025RKB
32		R1 1/4" Taper thread	A	100	3	8.1 - 39	FST250-032RKA
32		R1 1/4" Taper thread	B	100	6	19 - 90	FST250-032RKB
40		R1 1/2" Taper thread	A	100	5	15 - 69	FST250-040RKA
40		R1 1/2" Taper thread	B	100	7	25 - 111	FST250-040RKB

Note: special customization is supported. The above parameters are tested by installing the switch vertically in the horizontal pipeline with 20 ° C water as the medium.

**Prompt order**

1. When ordering, please indicate medium flow direction, medium type, pipe diameter and expected setting value. We can help you to complete the setting before delivery.
2. If it is a viscous medium, please indicate the viscosity, temperature and type of medium.
3. For gaseous medium, please indicate pressure (gauge pressure/absolute pressure), temperature and medium type.
4. The micro switch can be imported according to customer demand two options.