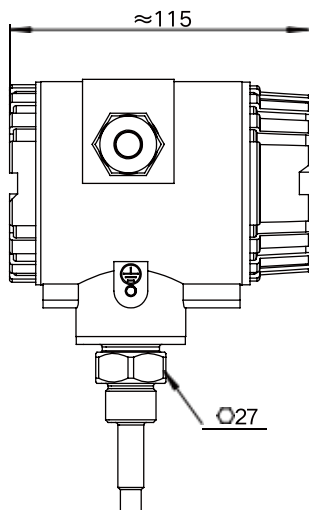
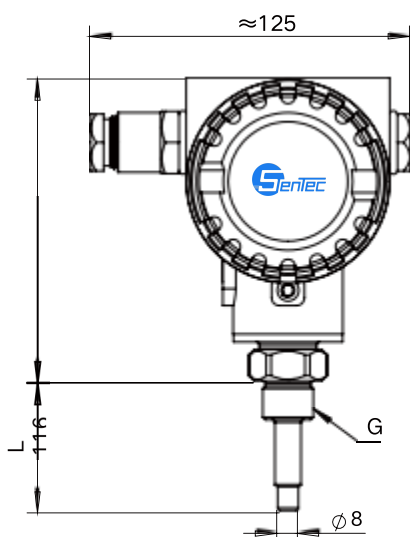


FST330 Electronic EX type flow switch



Size chart (mm)


Principle characteristics

Based on the thermal principle, the sealed probe contains two resistors, one of which is heated as the detection resistance and the other is not heated as the reference resistance. When the medium flows, the heat on the heating resistance is taken away and the resistance value is changed.

No moving parts, maintenance-free, easy to install, one type is suitable for a variety of pipe diameter requirements, switch volume continuously adjustable, very low pressure loss, compact structure, LED display flow trend and switch status.

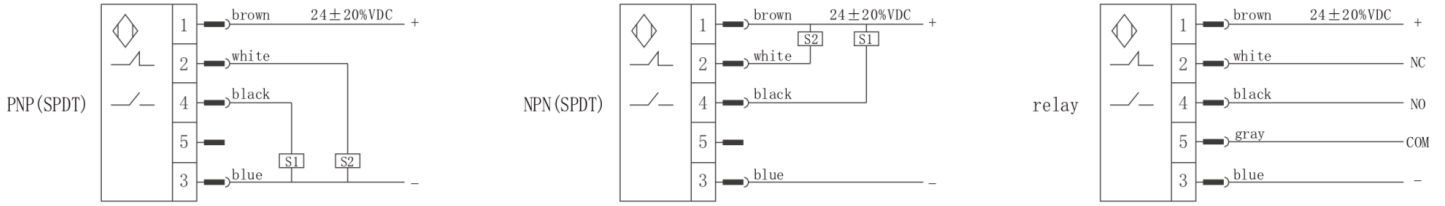
Product application

Gas-liquid dual, can be used for pneumatic and hydraulic systems, can be used for circulating water, cutting fluid and lubricating oil break detection, and pump idling protection.

Technical parameters

- ◇ Set the range: 1.. 150cm/s(water),3... 300 cm/s (oil),20... 2000cm/s (air)
- ◇ Signal output: PNP,NPN, relay, Normally open + normally closed (SPDT)
- ◇ The power supply: 24V ± 20%VDC or 230V ± 15%VAC
- ◇ Current is switched on: Maximum 400mA(PNP or NPN),maximum 4A (relay)
- ◇ No-load current: Maximum 80mA
- ◇ Flow indicator: LED row (8)
- ◇ Set way: Potentiometer setting
- ◇ Pressure range: 100bar
- ◇ The temperature gradient: ≤ 4°C/s
- ◇ The response time: 1-13s, Typical values 2s
- ◇ Initialization time: 8s
- ◇ Electric protection: Invert, short circuit, overload protection
- ◇ Protection grade: IP67
- ◇ Medium temperature: -20...80°C
- ◇ The environment temperature: -20...80°C
- ◇ Storage temperature: -20...100°C
- ◇ Connection mode: Explosion-proof joints, cable fasteners
- ◇ material:
 - probe: Stainless steel
 - shell: Cast aluminum
- ◇ Explosion-proof grade: Ex d II CT6

The wiring diagram

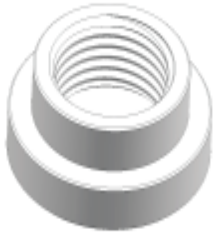
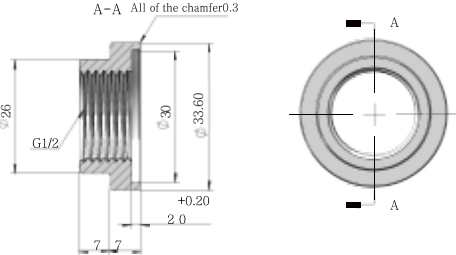

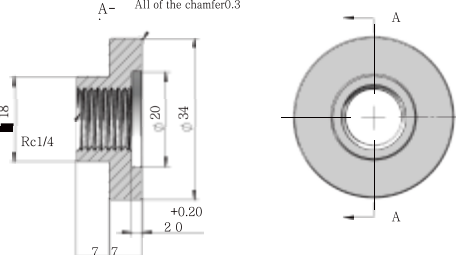

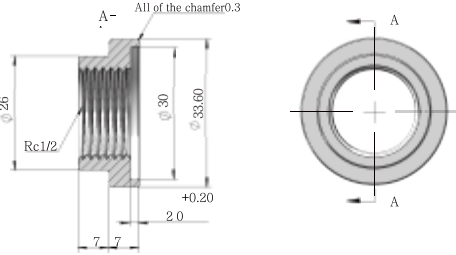

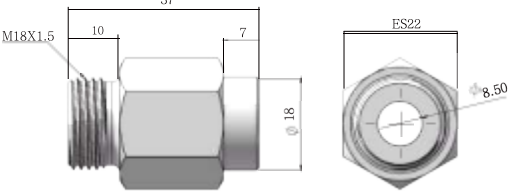


Selectiontable


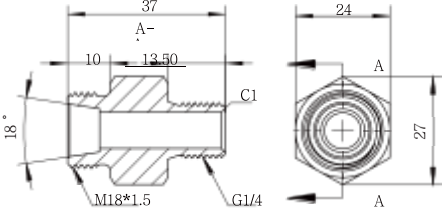
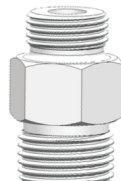
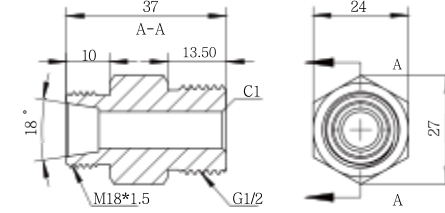
FST330 -	G 1 2 M	DC	C	M	S	-	detailed
FST330 -							FST330 series electronic explosion - proof flow switches
	G 1 2 M						Joint thread G 1/2 external thread
	G 1 4 M						Joint thread G 1/4 external thread
	R 1 2 M						Joint thread R C 1/2 external thread
	R 1 4 M						Joint thread R C 1/4 external thread
	M 1 8 K						Joint thread M 1 8 × 1 . 5 Internal thread It is convenient to use with installation accessories to rotate and adjust the installation direction on site
		DC					DC 2 4 V ± 2 0 % power supply
			P				PNP output
			N				NPN output
			C				Relay output
				M			Electrical connection :M 2 0 * 1 5
				Z			Electrical connection:cable fastener
					S		No explosion - proof
					E		explosion - proof (E x d I I C T 6)
							Length of probe rod
						-	standard type G thread ,3 0 mm thread is suitable for ≤ D N 3 2
							Standard type R thread, 35mm thread is suitable for ≤DN32
						50	Probe rod length unit mm (including thread 50), suitable for ≥DN40
<p>* select M 18*1.5 internal thread mounting method. Please pay attention to the installation accessories. M18 thread does not length variation of probe rod</p> <p>* for electrical accessories and installation accessories, please refer to the attachment page on page</p>							

Optional accessories - installation accessories

name	contourmap	Size chart (mm)	model
G1/4Welding the base			FA002-G14 (Material:304 stainless steel)

<p>G1/2Welding the base</p>			<p>FA002-G12 (Material:304 stainless steel)</p>
<p>Rc1/4Welding the base</p>			<p>FA002-R14 (Material:304 stainless steel)</p>
<p>Rc1/2Welding the base</p>			<p>FA002-R12 (Material:304 stainless steel)</p>
<p>M18*1.5Welding the base</p>			<p>FA002-M18 (Material:304 stainless steel)</p>

Optional accessory -adapter

name	contourmap	Size chart (mm)	model
<p>M18 * 1.5 internal thread To g1/4 male thread, Probe insertion depth 15mm</p>			<p>FA004-M18G14S (Material: 304 stainless steel)</p> <p>FA004-M18G14T (Material: brass)</p>
<p>M18 * 1.5 internal thread To g1/2 male thread</p>			<p>FA004-M18G12S (Material:304 stainless steel)</p> <p>FA004-M18G12T (Material: brass)</p>