

**MP SERIES HIGH PERFORMANCE MELT PRESSURE TRANSDUCER/TRANSMITTER**
**FEATURES**

- Rigid structure, flexible conduit;
- Zero&full scale adjustment;
- Multiple amplifying signal outputs;
- 80% Internal calibration;
- Good stability and repeatability.

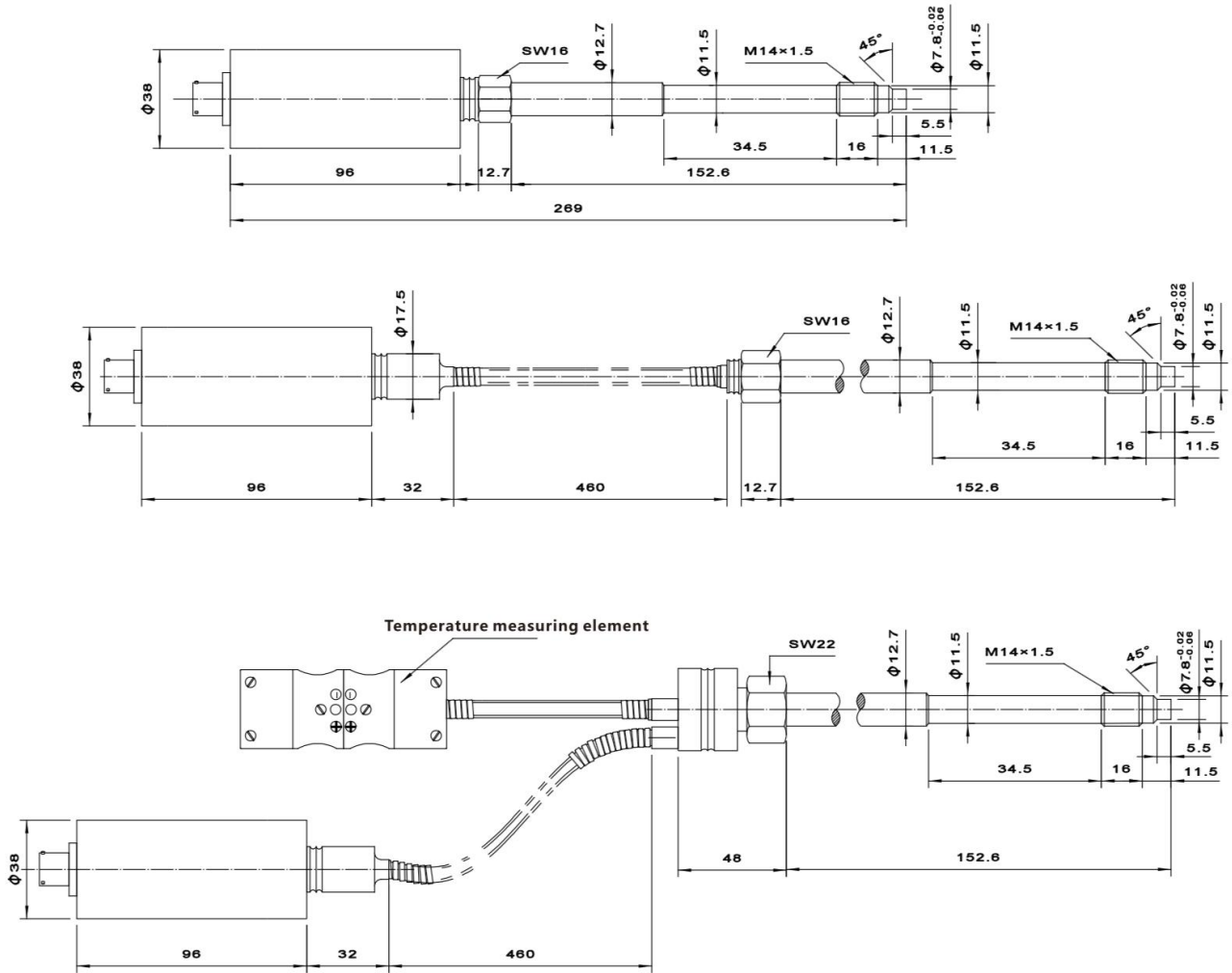

**OVERVIEW**

MP series high performance melt pressure transducer/transmitter converts pressure into anti-interference mV/V signal or amplifying signals such as 4/20mA, 0/5V and 0/10V with high accuracy performance. These signals could be directly transmitted to the upper computer control system. They are ideal substitutes for Gefran M series and Dynisco PT series.

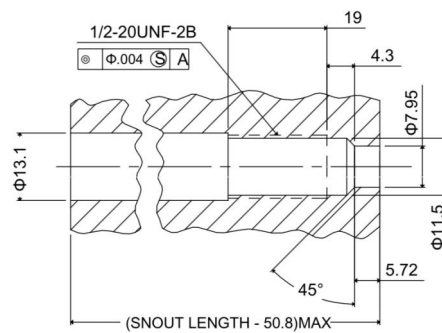
**SPECIFICATION**

Pressure range	0~100Bar~2000bar (0~10Mpa~200Mpa)
Accuracy	±0.25% FS, ± 0.5% FS
Output	1.5mV/V, 2.0mV/V, 4~20mA, 0~5V, 0~10V
Input voltage	10VDC, 24VDC (12-36V)
Repeatability	± 0.1% FS
Overload pressure	1.5 X FS
Bridge impedance	350 Ohms ± 10%, 1000 Ohms ± 10%
Load resistance	500Ω @26VDC, 1000Ω @36VDC,
Internal self-calibration	80% FS ± 1%
Temperature component	PT100, E, J, K
Maximum diaphragm temperature	400 ° C
Diaphragm material	15-5PH, 17-4PH, Inconel718
Electrical connections	6 or 8 PIN Bendix connector
Process connection	1/2''-20UNF, M14×1.5, M18×1.5, M22×1.5 more customized

OUTLINE DIMENSION



HOLE SIZE



ELECTRIC CONNECTION

- MV/Volt Signal



- MA Signal



**ORDER CODE**

MP	-	-	-	-	-	-	-	-	Parameters
Range	X	M							1M=1000psi=70bar 1.5M=1500psi=100bar 3M=3000psi=200bar 5M=5000psi=350bar 7.5M=7500psi=500bar 10M=10000psi=700bar 15M=15000psi=1000bar 20M=20000psi=1400bar 30M=30000psi=2000bar
Accuracy		M							± 0.5% FSO
		H							± 0.25% FSO
Signal output			1MV						1MV=1.5mV/V
			2MV						2MV=2mV/V
			3MV						3MV=3.33mV/V
			MA						MA=4~20mA
			5V						5V=0~5V
			10V						10V=0~10V
Rigid stem length				3					3"=76mm
				6					6"=152mm
				9					9"=230mm
				12					12"=305mm
Flexible stem length					0				No Flex
					18				18"=460mm
					30				30"=762mm
Process connection						1/2			1/2-20UNF
						M14			M14*1.5
						M18			M18*1.5
Electrical connection							6		6 PIN
							8		8PIN
Temperature sensor								TC	E, J, K thermocouple with 3" Flex
								RTD	Pt100 with 3" Flex

**SPARE PARTS**



Rupture disk



Drilling kits



Cleaning kits



Mini deadweight tester