

**MPE SERIES ROHS ENVIRONMENT MELT PRESSURE TRANSDUCER/TRANSMITTER**
**FEATURES**

- Multiple signal outputs;
- Patented Product;
- Special Coating of diaphragm;
- IP65 Safety Grade;
- 80% Internal calibration;
- Alloy-Filled;
- $\pm 0.5\%$  FS.

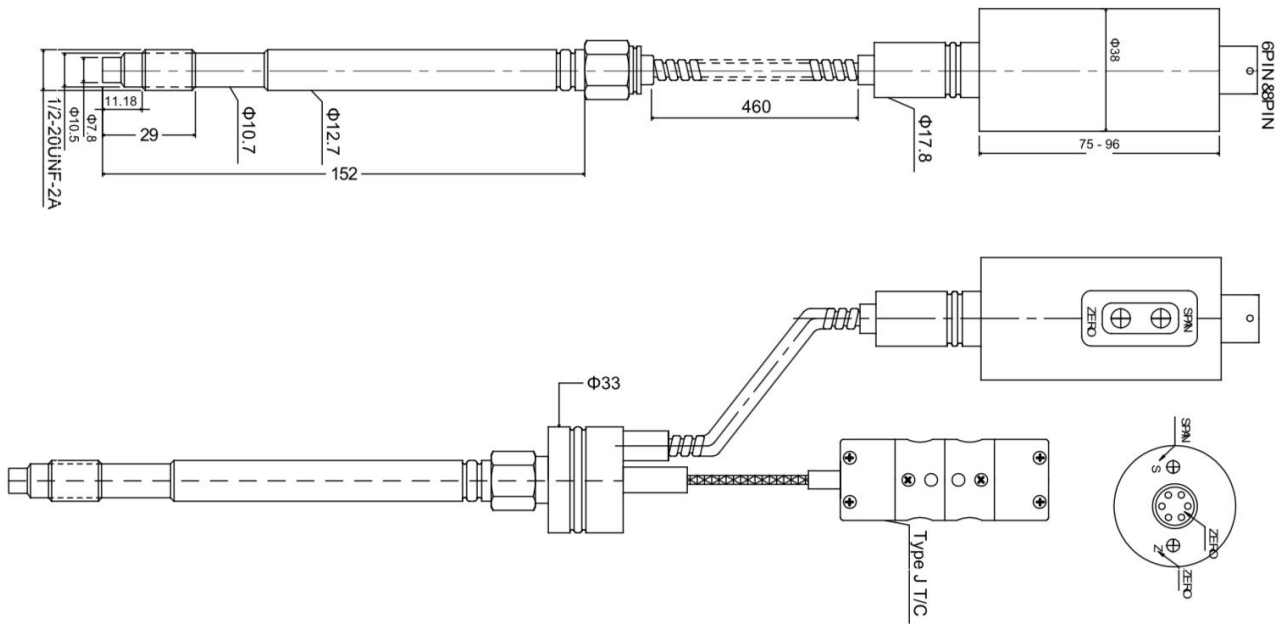

**OVERVIEW**

MPE series alloy-Filled series uses special alloy filled technology. Because of using Special diaphragm and high temperature resistant coating, it can still regularly be used at any high temperature up to 700°C. It uses standard thread method, 80% internal calibration. This product is characterized for environment friendly for food & medicine application.

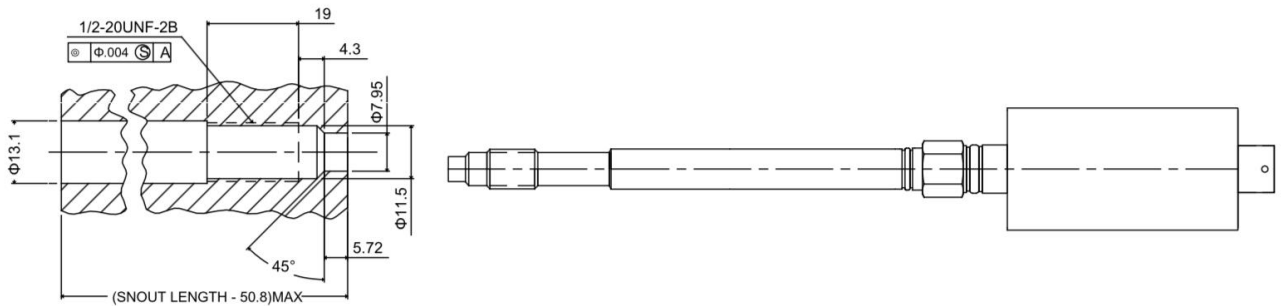
**SPECIFICATION**

Pressure range	0~100Bar~2000bar (0~10Mpa~200Mpa)
Accuracy	$\pm 0.25\%$ FS, $\pm 0.5\%$ FS
Output	1.5mV/V, 2.0mV/V, 4~20mA, 0~5V, 0~10V
Input voltage	10VDC, 24VDC (12-36V)
Repeatability	$\pm 0.1\%$ FS
Overload pressure	1.5 X FS
Bridge impedance	350 Ohms $\pm 10\%$ , 1000 Ohms $\pm 10\%$
Load resistance	500 $\Omega$ @26VDC, 1000 $\Omega$ @36VDC,
Internal self-calibration	80% FS $\pm 1\%$
Temperature component	PT100, E, J, K
Maximum diaphragm temperature	700 ° C
Diaphragm material	15-5PH, 17-4PH, Inconel718
Electrical connections	6 or 8 PIN Bendix connector
Process connection	1/2"-20UNF, M14×1.5, M18×1.5, M22×1.5 more customized

### OUTLINE DIMENSION



### HOLE SIZE



### ELECTRIC CONNECTION

• MV/Volt Signal



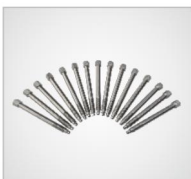
• MA Signal



**ORDER CODE**

MPE	-	-	-	-	-	-	-	-	Parameters
Range	X	M							1M=1000psi=70bar 1.5M=1500psi=100bar 3M=3000psi=200bar 5M=5000psi=350bar 7.5M=7500psi=500bar 10M=10000psi=700bar 15M=15000psi=1000bar 20M=20000psi=1400bar 30M=30000psi=2000bar
Accuracy	M								± 0.5% FSO
	H								± 0.25% FSO
Signal output		1MV							1MV=1.5mV/V
		2MV							2MV=2mV/V
		3MV							3MV=3.33mV/V
		MA							MA=4~20mA
		5V							5V=0~5V
		10V							10V=0~10V
Rigid stem length			3						3"=76mm
			6						6"=152mm
			9						9"=230mm
			12						12"=305mm
Flexible stem length			0						No Flex
			18						18"=460mm
			30						30"=762mm
Process connection				1/2					1/2-20UNF
				M14					M14*1.5
				M18					M18*1.5
Electrical connection					6				6 PIN
					8				8PIN
Temperature sensor						TC			E, J, K thermocouple with 3" Flex
						RTD			Pt100 with 3" Flex

**SPARE PARTS**



Rupture disk



Drilling kits



Cleaning kits



Mini deadweight tester