

**MPF SERIES EXPLOSION PROOF MELT PRESSURE TRANSDUCER/TRANSMITTER**

**FEATURES**

- Rigid structure, flexible conduit and special diaphragm isolation  
80% internal calibration
- Zero&F.S adjustment ;
- Good stability and anti-interference ability;
- Multiple amplifying signal outputs 4~20mA, Hart+4~20mA Signal



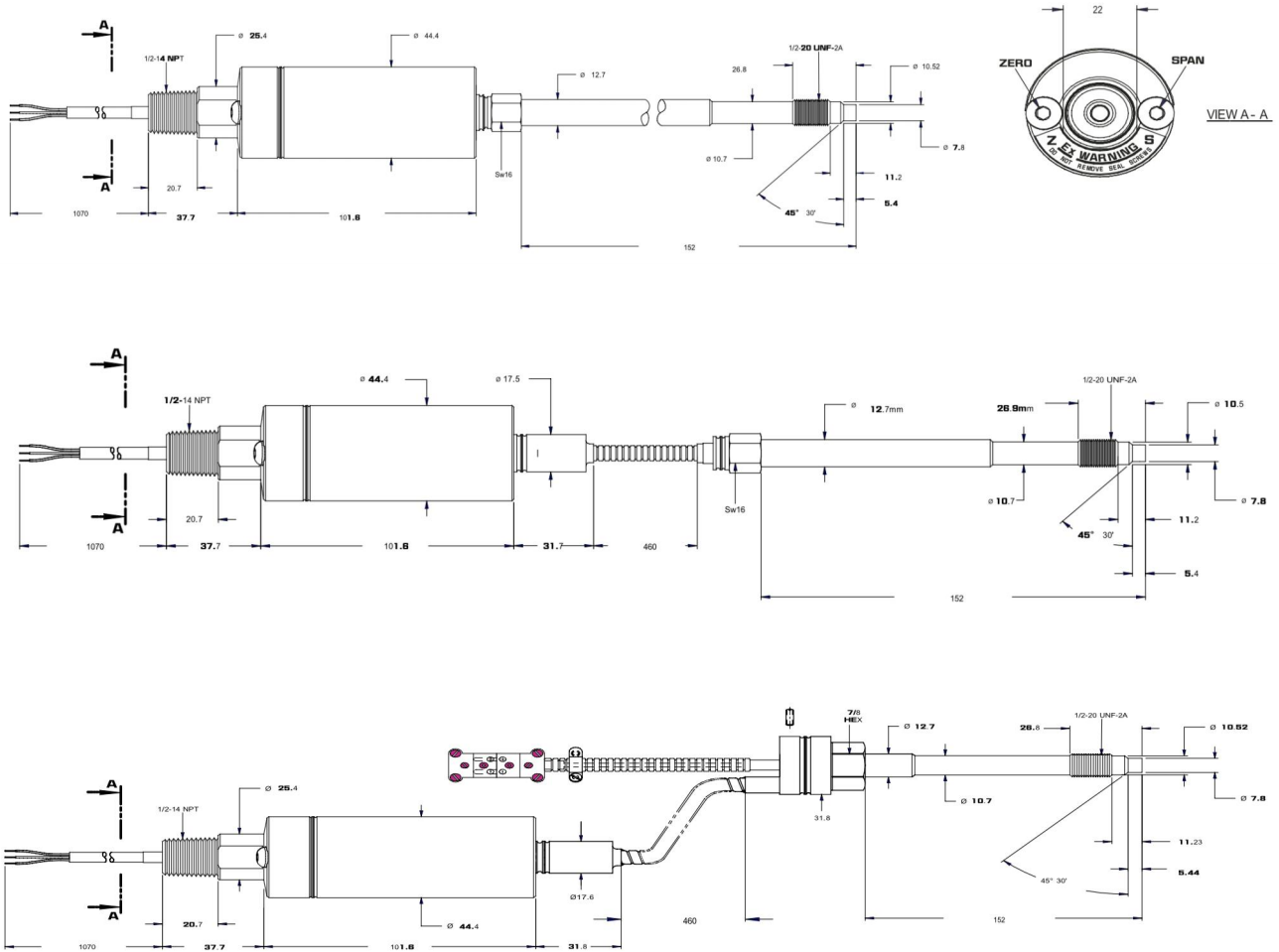
**OVERVIEW**

MPF series explosion proof type melt pressure transducer/transmitter is intrinsically safe and suitable for hazardous location such as flammable and explosive which are designed with safety circuit and low-power components. All-welded construction that features a 1/2-20 UNF thread for installation in standard transducer mounting holes. Many other threaded configurations are available. Temperature Compensation is based on an RTD measurement that compensates for temperature variations which reduces temperature-related drift and increases accuracy. No need to re-zero for temperature changes after installation. They converts pressure into anti-interference amplifying signals such as 4/20mA, or HART+4/20mA with high accuracy performance.

**SPECIFICATION**

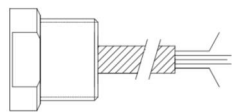
Pressure range	0~100Bar~2000bar (0~10Mpa~200Mpa)
Accuracy	±0.25% FS, ± 0.5% FS
Output	1.5mV/V, 2.0mV/V, 4~20mA, 0~5V, 0~10V
Input voltage	24VDC (12-36V)
Repeatability	± 0.1% FS
Overload pressure	1.5 X FS
Bridge impedance	350 Ohms ± 10%, 1000 Ohms ± 10%
Load resistance	500Ω @26VDC, 1000Ω @36VDC,
Internal self-calibration	80% FS ± 1%
Temperature component	PT100, E, J, K
Maximum diaphragm temperature	400 ° C
Diaphragm material	15-5PH, 17-4PH, Inconel718
Electrical connections	Lead wire or Bendix connector
Process connection	Flange type, thread type

### OUTLINE DIMENSION



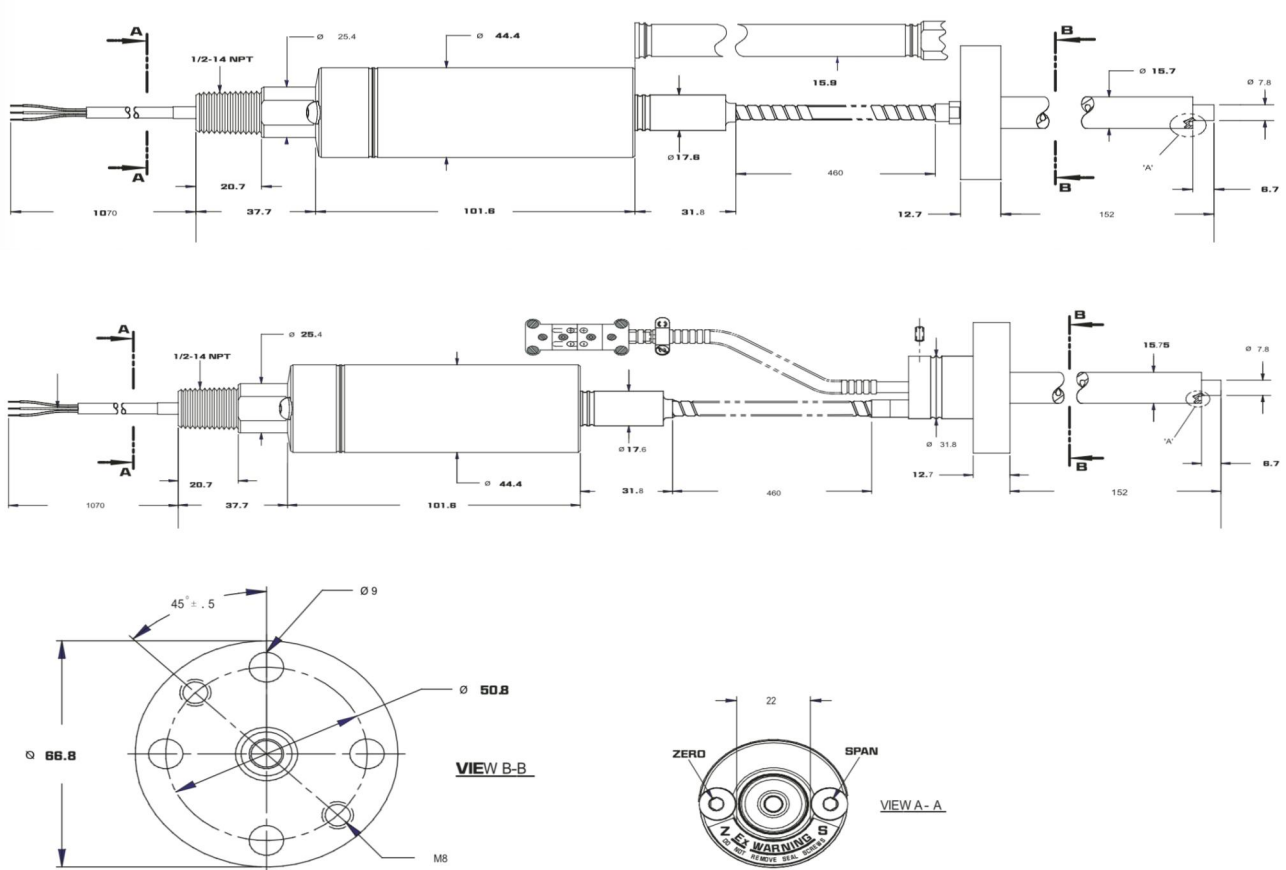
### ELECTRIC CONNECTION

Output	Function	Color
Output: 4-20mA	power supply+	Red
	power supply-	Blue
	Calibration	Black



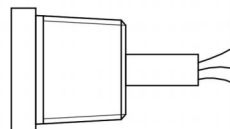
	Output	Function	6PIN
	Output: 4-20mA	power supply+	A
		power supply-	B
		Calibration	F
	Output	Function	8PIN
	Output: 4-20mA	power supply+	A
		power supply-	B
		Calibration	E
Calibration		F	

OUTLINE DIMENSION

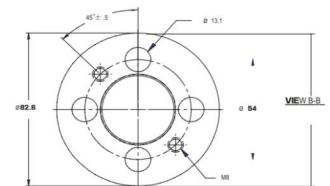
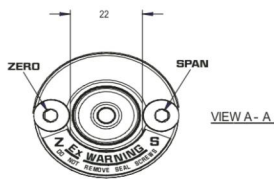
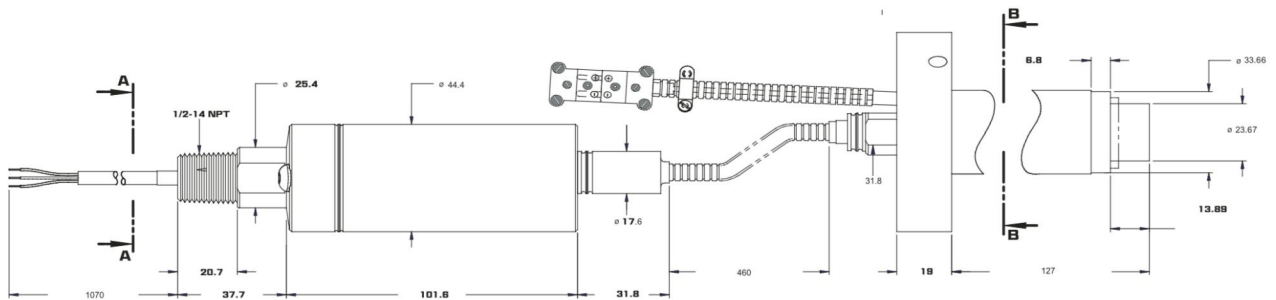
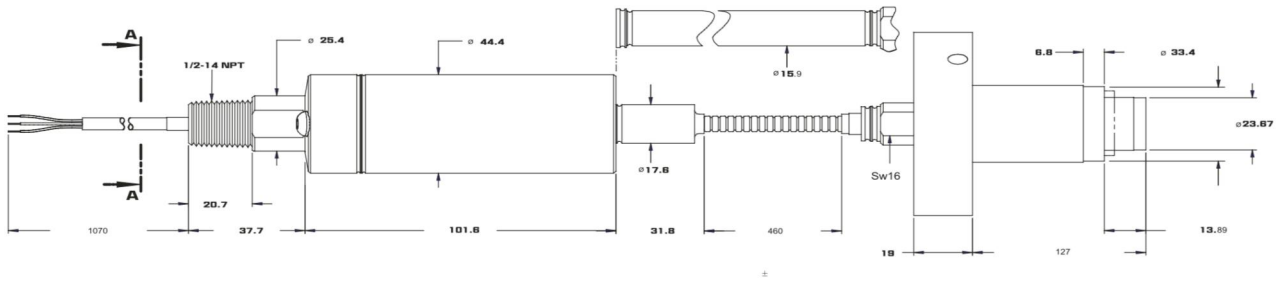


ELECTRIC CONNECTION

Lead Wire	2-wire	Wire Color
	E+	Red
	E-	Black
	GND	Green

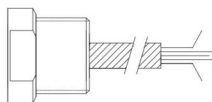


OUTLINE DIMENSION



ELECTRIC CONNECTION

Output	Function	Color
Output: 4-20mA	power supply+	Red
	power supply-	Blue
	Calibration	Black



	Output	Function	6PIN
	Output: 4-20mA	power supply+	A
		power supply-	B
		Calibration	E
Calibration		F	
	Output	Function	8PIN
	Output: 4-20mA	power supply+	A
		power supply-	B
		Calibration	E
Calibration		F	

**ORDER CODE**

MPE	-	-	-	-	-	-	-	-	Parameters
Range	X M								1M=1000psi=70bar 1.5M=1500psi=100bar 3M=3000psi=200bar 5M=5000psi=350bar 7.5M=7500psi=500bar 10M=10000psi=700bar 15M=15000psi=1000bar 20M=20000psi=1400bar 30M=30000psi=2000bar
Accuracy		M							± 0.5% FSO
		H							± 0.25% FSO
Signal output		MA							MA=4~20mA
		H							H=4~20mA+HART
Rigid stem length			3						3"=76mm
			6						6"=152mm
			9						9"=230mm
			12						12"=305mm
Flexible stem length			0						No Flex
			18						18"=460mm
			30						30"=762mm
Process connection				1/2					1/2-20UNF
				6F					66.8mm flange
				8F					82.6mm flange
Electrical connection				6					6 PIN
				8					8PIN
				1/2					1/2-14NPT conduit with 42" leads
Temperature sensor					TC				E, J, K thermocouple with 3" Flex
					RTD				Pt100 with 3" Flex

**SPARE PARTS**



Rupture disk



Drilling kits



Cleaning kits



Mini deadweight tester