

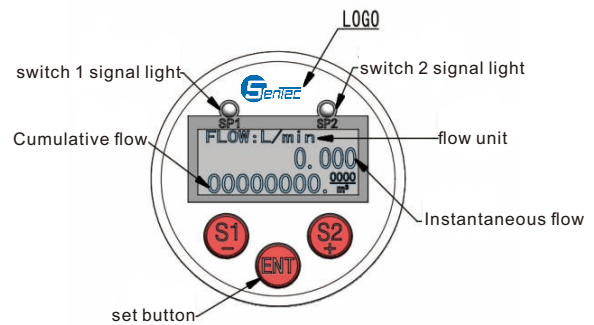
## Principle features



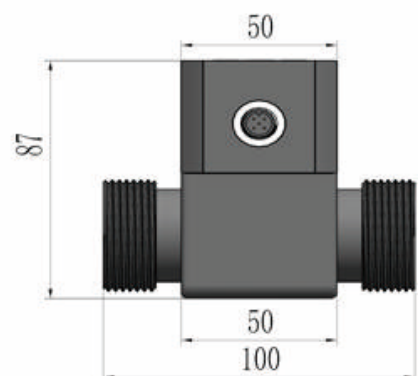
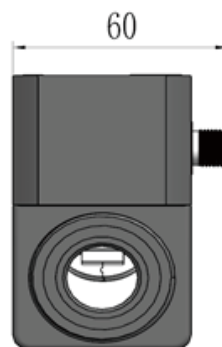
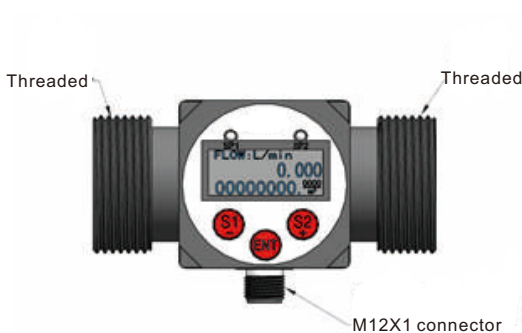
PWF120A series plug-in impeller flow sensor is another smart flow switch. YesA compact flow sensor. Has a small size. Easy to set up and so on. Built-in intelligence circuit. The upper and lower limit alarm values of flow can be set arbitrarily. Real-time traffic conditions can be monitored remotely. All parameters can be set arbitrarily on site, and the impeller measures the medium through the flow through the sensor intelligently. Arbitrary programming after circuit processing.

- Hall type pulse output, open collector PNP/NPN, strong driving ability
- Has high chemical resistance
- IP65 protection grade, suitable for harsh field environment
- Plug-in for easy installation
- Good stability and strong anti-interference ability
- Good reliability and maintenance free

## Panel Schematic



## Dimensions



## Technical indicators

Velocity range	0.15~6m/s	
Pipe diameter range	DN10-DN32	
Supply voltage	DC 5~24V	
Repeatability/Linearity	±0.5% full scale/±1.0% full scale	
Minimum Reynolds number	4500	
overcurrent parts	sensor body	POM /aluminum/stainless steel
	O-ring	FPM /EPDM
	impeller	PVDF
	Bearing/Shaft	High temperature oxide pick ZrO2 (ceramic), titanium alloy, Hastelloy C

## Selection table

PWF120A-	A	1	A	B	1	A	Detail
PWF120A-							PWF120 series impeller flow sensor
	A						Pipe diameter: Dn10
	B						Pipe diameter: Dn15
	C						Pipe diameter: Dn20
	D						Pipe diameter: Dn25
	E						Pipe diameter: Dn32
	DN...						Specify the specific pipe diameter when ordering
		1					Internal thread connection
		2					External thread connection
			A				Impeller material: PVDF
				A			Display material: POM
				B			Display material: aluminum
				C			Display material: stainless steel
					1		Body material: POM
					2		Body Material: Aluminum
					3		Body material: stainless steel
						A	Spindle: ZrO2

\* The selection table is only for parameter selection, and the parameters correspond to the code to leave the factory.

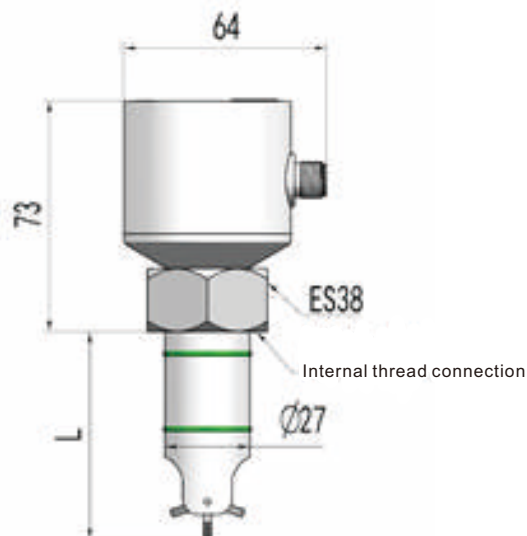
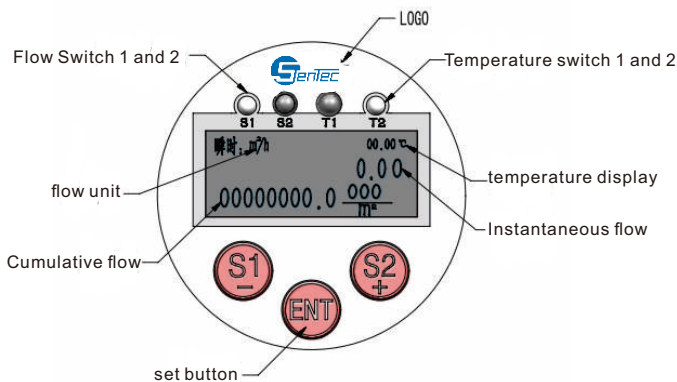
## Principle features



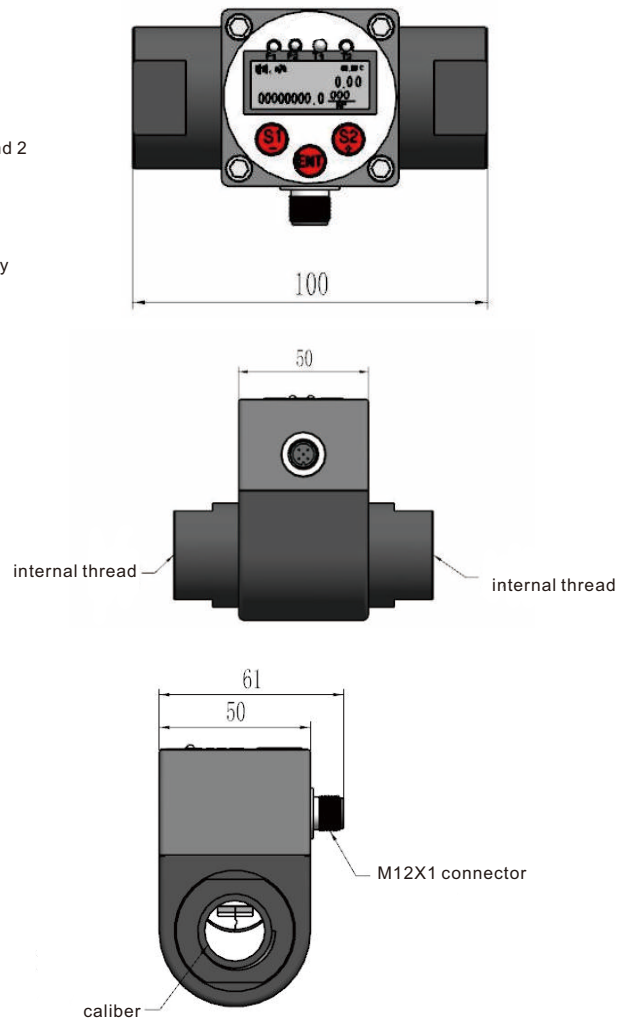
PWF120B series plug-in impeller flow sensor is another smart flow switch. YesA compact flow sensor. Has a small size. Easy to set up and so on. Built-in intelligencecircuit. The upper and lower limit alarm values of flow can be set arbitrarily. Real-time traffic conditions can be monitored remotely.All parameters can be set arbitrarily on site, and the impeller measures the medium through the flow through the sensor intelligently Arbitrary programming after circuit processing.

- Hall type pulse output, open collector PNP/NPN, strong driving ability
- Has high chemical resistance
- IP65 protection grade, suitable for harsh field environment
- Plug-in for easy installation
- Good stability and strong anti-interference ability
- Good reliability and maintenance free

## Panel Schematic



## Dimensions



## Technical indicators

Velocity range		0.15~6m/s
Pipe diameter range		DN10-DN32
Pipe diameter range		DC 5~24V
Repeatability Accuracy/ Linear Accuracy		±0.5% full scale/±1.0% full scale
Minimum Reynolds number		4500
Temperature pressure	PP body	12.5bar@ 25°C 5bar@90°C PVDFontology 14.0bar@25°C 1.7bar@100 °C
	PVDF body	14.0bar@ 25°C 5bar@100°C
overcurrent parts	sensor body	POM /aluminum/stainless steel
	O-ring	FPM /EPDM
	impeller	PVDF
	Bearing/Shaft	High temperature oxide pick ZrO2 (ceramic), titanium alloy, Hastelloy C

## Selection table

PWF120B-	A	1	A	1	A	B	1	0-100	A	Detail
PWF120B-										PWF120 series impeller flow, temperature integrated sensor
	A									Pipe diameter: Dn10
	B									Pipe diameter: Dn15
	C									Pipe diameter: Dn20
	D									Pipe diameter: Dn25
	E									Pipe diameter: Dn32
	DN.									Specify the specific pipe diameter when ordering
		1								Internal thread connection
		2								External thread connection
			A							Impeller material: PVDF
				1						Body material: POM
				3						Body material: stainless steel
					A					Spindle: ZrO2
						A				Display material: POM
						B				Display material: aluminum
						C				Display material: stainless steel
							1			Body material: POM
							2			Body Material: Aluminum
							3			Body material: stainless steel
								....		Customized temperature range: 0-100
									A	2 temperature switches
									B	2 flow switches
									C	2 temperature switches + 1 temperature 4-20M A output
									D	2 flow switches + 1 flow 4-20M A output
									E	1 temperature 4-20M A output
									F	1 flow 4-20M A output
									G	2 analog 4-20M A outputs (temperature, flow)
									H	4 switches (temperature, flow)
									H2	4 switches (temperature, flow)+2 analog 4-20M A output (temperature, flow)

\* The selection table is only for parameter selection, and the parameters are corresponding to the code to leave the factory.