



Sensors & IOT system

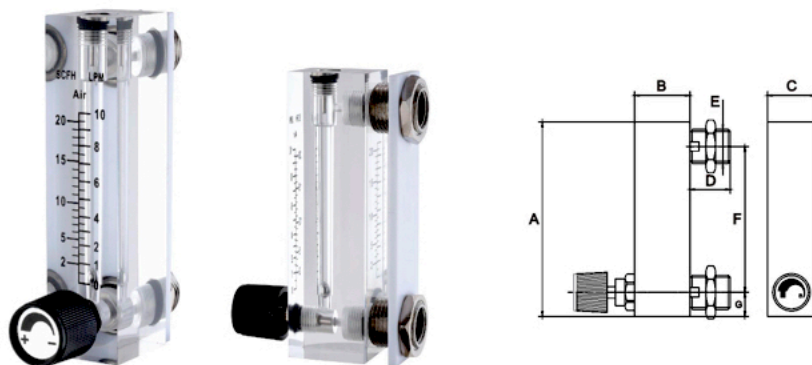
Innovative solutions for measurement
and monitoring technology

20 YEARS EXPERIENCES
9,000,000+ INSTALLATIONS

Advanced solutions for sensing technology

@2020-EN01

LZM-4T、6T、8T Series Acrylic Flow Meter



Technical Parameters of LZM-4T 6T 8T Series Flow Meter

Model	Range		Screw Thread	Accuracy	Size (mm)							
	ml/min (Liquid)	NL/min (Gas)			A	B	C	D	E	F	G	
LZM-4T	6~60 8~80 10~100	0.25~2.5 1~5 1~12	0.2~2 0.6~6 1~10	Direct Ø6	±4%	94	27	21	14	Ø14	70	11
LZM-6T	0.5~5L/H 1.5~15L/H 9~90L/H 6~60L/H 10~100 16~160 20~200 25~250 30~300 100~500	0.1~1 0.3~3 1~5 2~10 3~15 4~40 10~60 30~300ml/min	0.1~1 0.4~4 1~12 2~20 3~30 5~50 10~70 10~100LPM	(F)G1/4"BSPT		102	29	25	20	M18x1.5	77	12.5
LZM-8T	2.5~25LPH 6~60LPH 9~90LPH	0.1~1Nm³/h 0.16~1.6Nm³/h 0.2~2Nm³/h		(F)G1/4"BSPT		110	25	25	20	M18x1.5	80	12

The Material of LZM-4T 6T 8T Series Flow Meter

With valve	Valve	Fitting	Float	O-ring
T-With O-No	√1.Brass 2.SS	1.ABS 2.PP 3.PVC 4.Brass √5.Brass chromeplate 6.SS	√1.SS 2.Acryllc 3.Agata ball 4.PTFE	√1.Silicon rubber 2.Fluorin rubber 3.Butyl

Note:Mark with√,the material of the Flow Meter is the General Configuration

LZM-Series Acrylic Flow Meter



Technical Parameters of LZM Series Flow Meter

Model	Range		Nm³/h(Gas)	Screw Thread	Accuracy	Size (mm)						
	GPM(Liquid)	LPM (Liquid)				A	B	C	D	E	F	G
LZM-15	0.05~0.5 0.1~1 0.2~2 0.3~3 0.5~5	0.2~2 0.5~4 1~7 2~18 10~100LPH 16~160LPH 25~250LPH	0.1~1 0.2~2 0.5~3 0.6~6 1.2~12 1.5~16 2.5~25 1~10	(Male) 1/2" BSPT (Female) 1/4" BSPT	±4%	176	32	168	35	19	76	127
LZM-25	1~10 2~15 2~20 3~30 5~35 5~40	5~40 10~50 10~70 10~110 20~140 10~150	6~60m³/h 16~160m³/h 25~250Nm³/h	(Male) 1"BSPT		234	45	226	46	27	100	160
LZM-50	5~45 10~50 10~60 20~80 25~100 30~150	10~170 50~190 20~220 90~300 100~350 100~500		(Male) 2"BSPT		296	70	281	82.5	41	100	190

The Material of LZM series Flow Meter

Fitting	Float	O-ring
√1.ABS 2.PP 3.PVC 4.Brass 5.Brass chromeplate 3.SS	√1.SS	√1.Silicon rubber 2.Fluorin rubber 3.Butyl

Note:Mark with√,the material of the Flow Meter is the General Configuration

LZM-G Series Acrylic Flow Meter



Technical Parameters of LZM-G Series Tube Type Flow Meter

Model	Range		Nm ³ /h(Gas)	Screw Thread		Accuracy	Size (mm)			
	GPM (Liquid)	LPM (Liquid)		Male	Female		A	B	C	D
LZM-15G	0.05~0.5 0.05~0.6 0.1~1.5 0.15~1.5 0.2~2.5 0.5~5	0.18~1.8 0.2~2.1 0.4~4 0.5~5.5 1~9 1.8~18	0.8~8 1~10 1.8~18 3~25 6~60LPM	1/2"NPT 1/2"BSP	1/2"NPT 1/2"BSP	±4%	235	233	180	Ø32
LZM-20G	1~10 1.5~15 2~20 3~30 4~40	4~40 5~55 10~70 10~110 15~140 15~150	4~40 6~60 15~140 15~140 18~160 25~250	1/4"NPT 1/4"BSP	3/4"NPT 3/4"BSP		330	283	236	Ø45
LZM-25G	1~10 2~20 3~30 4~40 6~60 6~60	4~40 10~70 10~110 15~140 15~150 25~225	15~140 16~160 25~250 40~400	1/2"NPT 1/2"BSP	1"NPT 1"BSP		319	297	235	Ø51
LZM-40G	4~40 6~60 20~80 15~100	15~150 22~220 30~300 50~400			1/2"NPT 1/2"BSP		340	302	240	Ø65
LZM-50G	20~80 20~100 20~120 40~150 60~200	100~300 100~350 100~450 150~550 150~750	100~500 100~600 300~900	2"NPT 2"BSP	2"NPT 2"BSP		400	367	294	Ø75

LZM-GG Series Polycarbonate Tube Type Flowmeter



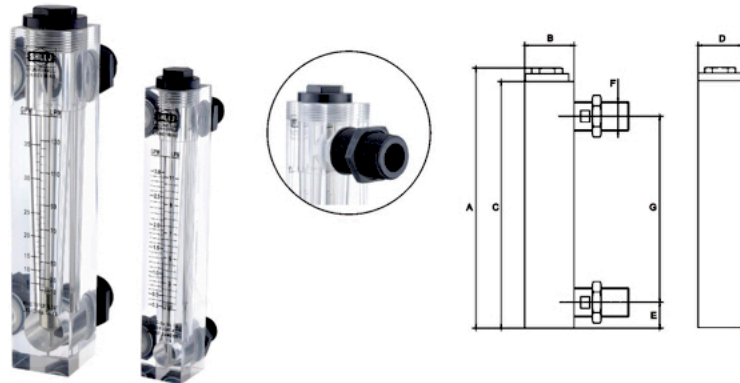
Technical Parameters of LZM-GG Series Polycarbonate Tube Type Flowmeter is the same as LZM-G Series Tube Type Flow Meter

The Material of LZM-G and LZM-GG Series Flow Meter

Fitting	Float	O-ring
<ul style="list-style-type: none"> √1.ABS 2.PP 3.PVC 4.Brass 5.brass chromeplate 6.SS 	<ul style="list-style-type: none"> √1.SS 2.Agata ball 3.PTFE 	<ul style="list-style-type: none"> √1.Silicon rubber 2.Fluorin rubber 3.Butyl

Note:Mark with√,the material of the Flow Meter is the General Configuration

LZM-L Series Acrylic Flow Meter



Technical Parameters of LZM-L Series Flow Meter

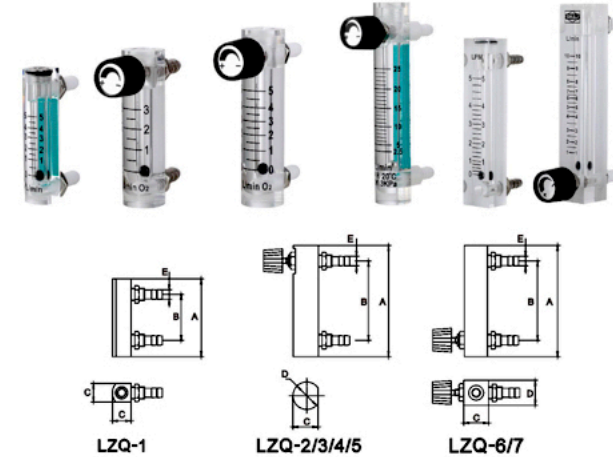
Model	Range		Nm ³ /h(Gas)	Accuracy	Size (mm)						
	GPM (Liquid)	LPM (Liquid)			A	B	C	D	E	F	G
LZM-15L	0.1~1	0.5~4	1~10 1.6~16 2.5~25 4~40	±4%	216	32	206	17	(M) 1/2" BSP	23	165
	0.2~2	0.8~8									
	0.3~3	1~11									
	0.5~5	2~18									
	1~7	2~28									
1.5~9	400~2000LPH										
LZM-20L	2~10	8~40	2.5~25	±4%	233	39	220	24.5	(M) 3/4" BSP	28	165
	2~16	8~60	6~60								
	2~20	8~80	10~100 16~160								
LZM-25L	1.5~15	6~60	20~200 25~250	±4%	253	44	240	28.5	(M) 1" BSP	35	175
	3~13	10~50									
	4~24	10~100									
	5~35	10~130									
	5~45	20~170									

The Material of the LZM-series flow Meter

Fitting	Float	O-ring
√1.ABS 2.PP 3.PVC 4.Brass 5.Brass chromeplate 6.SS	√1.SS 2.Agata ball 3.PTFE	√1.Silicon rubber 2.Fluorin rubber 3.BUtyl

Note:Mark with√,the material of the Flow Meter is the General Configuration

LZQ-Series Acrylic Flow Meter



Technical Parameters of LZQ Series Flow Meter

Model	Range O ₂ (L/Min)	Connection Type	Size (mm)				
			A	B	C	D	E
LZQ-1	0~5	Hose	70	52	15	4	M8x1
LZQ-2	0~3		80	59	15.8	22	
LZQ-3	0~5		90	65.5	20	22	
LZQ-4	0~5		115	90	20	22	
LZQ-5	2.5~25		120	92	21	23	
LZQ-6	0~5 2~10 2~20		100	76	25	24	
LZQ-7	0.3~3 1~5 2~10		1~15 2~20 3~30	120	94.5	22	

The Material LZQ Series Flow Meter

With valve	Valve	Fitting	Float	O-ring
T-With O-No	√1.Brass 2.SS	1.Brass 2.Brass chromeplate 3.SS √4.POM plastic	√1.Agata ball 2.SS ball	√Silicom rubber 2.Butyl

LZS-P Durable Plastic Tube Flowmeter

The short tube type with leader(Guide bar)
The long tube type without leader(Guide bar)



Technical Parameters of LZS-P Series Flow Meter

Model	LZS-15 (L/h)	LZS-20 (L/h)	LZS-25 (L/h)	LZS-32 (m³/h)	LZS-40 (m³/h)	LZS-50 (m³/h)	LZS-65 (m³/h)	LZS-80 (m³/h)	LZS-100 (m³/h)	LZS-125 (m³/h)	LZS-150 (m³/h)
Range	60-60 10-100 16-160 25-250 40-400 60-600 80-800 100-1000	40-400 60-600 100-1000	60-600 100-1000 160-1600 250-2500 300-3000	0.4-4 0.6-6 1-10	0.4-4 0.6-6 1-10 1.2-12	0.4-4 0.6-6 1-10 1.6-16	1-10 1.6-16 5-25 8-40 12-60	5-25 8-40 12-60 12-80	8-40 8-50 12-60 14-90 18-120	15-150 22-180 25-200 22-220	15-150 22-180 25-200 22-220
Type	Long tube/Short tube					Short tube		Flange Connection			
Accuracy	±4%										
Temperature	0-60℃										
Pressure	≤0.6MPa										

Remark

- 1、Taper tube is AS Leader is Ss304 Others are ABS or PVC
- 2、The material of float joint pipe and leader could be cast crmized

Technical Parameters of LZS Series Flow meter (Glue and Female)

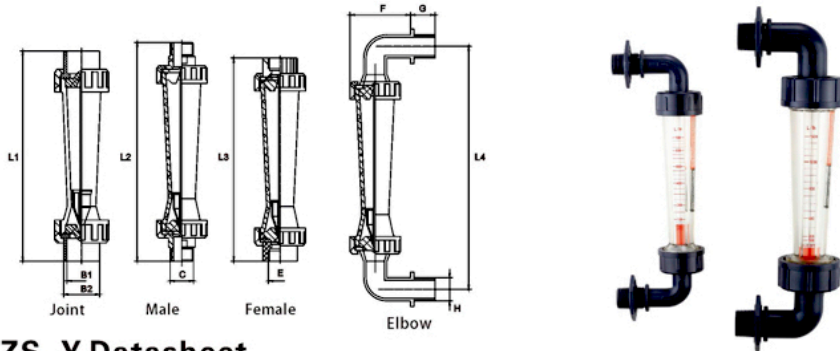
Model	DN	Size							
		Long tube				Short tube			
		L	D ₁	D ₂	D ₃	L	D ₁	D ₂	D ₃
LZS-15	15	280	45	26	20	200	44	26	20
LZS-20	20	324	51	31	25	234	59	31	25
LZS-25	25	380	68	39	32	234	60	39	32
LZS-32	32	375	74	50	40	288	74	50	40
LZS-40	40	415	88	63	50	380	87	63	50
LZS-50	50	435	98	73	63	348	98	73	63
LZS-65	65					430	124	88	75
LZS-80	80					505	142	106	90

Technical Parameters of LZS Series Flow meter(Flange Connection)

Model	Size			
	L	D ₁	D ₂	D ₃
LZS-15D	245	95	Ø14x4	65
LZS-20D	288	104	Ø14x4	74
LZS-25	290	120	Ø14x4	85
LZS-32	360	139	Ø14x4	100
LZS-40	465	149	Ø14x4	110
LZS-50	445	163	Ø14x4	125
LZS-65	525	180	Ø18x4	145
LZS-80	600	195	Ø18x4	160
LZS-100	550	215	Ø18x8	180
LZS-125	550	248	Ø18x8	210
LZS-150	550	280	Ø18x8	240

LZS-Durable Plastic Tube Type Flowmeter

Polysulfone(PSU) or PC body, Fittings made of PVC ABS or SS Floats Capable of withstanding higher temperatures, Thread joint and panel-mounted fittings are easy to install, economical and durable.



LZS-Y Datasheet

Model	Range		accuracy	working temperature	Working pressure
	GPM	LPM			
LZS-15P	0.1-1	0.5-4	±4%	0-60°C	≤1MPa
	0.2-2	0.2-2			
	0.5-5	0.5-5			
LZS-25P	0.8-8	3-30			
	1-10	4-40			
LZS-32P	1.2-12	5-50			
	2-20	8-80			
	2.5-25	10-100			
LZS-50P	2.5-25	10-100			
	5-45	20-180			
LZS-65P	7-70	25-250			
	25-110	80-400			
	40-160	150-650			
	50-250	200-100			

LZS-Y Datasheet for Lustallation

Model	L	D	Joint			Male		Female		Elbow			
			L1	B	B ₁	B ₂	B ₃	L2	C	L4	F	G	H
LZS-15Y	172	∅50	218	∅20	∅26	250	G1/2" Z1/2"	218	G1/2" Z1/2"	270	56	17	G1/2" Z1/2"
LZS-25Y	170	∅59	230	∅32	∅39	250	Z3/4" G3/4"	230	G3/4" Z3/4"	270	70.5	28	G3/4" Z3/4"
LZS-32Y	225	∅72	290	∅40	∅49	310	G1" Z1"	290	G1" Z1"	345	86	35	G1" Z1"
LZS-50Y	290	∅98	375	∅63	∅73	400	G2" Z2"	370	G2" Z2"	440	109	40	G2" Z2"
LZS-65Y	325	∅120	420	∅75	∅89	445	G1-1/2" Z1-1/2"	420	G2-1/2" Z2-1/2"				

Variable Area Flowmeter With Alarm Limit Switch

1.Philosophy

Switch on/off is actually magnetic float contact open/close after magnetron bistable exciting Alarm sound and light are based on the switch position of on/off linked to relays among other parts and elements.

2.Functions and Applications

BJ01:High Alarm Limit Switch (HA)BJ02:Low Alarm Limit Switch (LA) , Both the switches of BJ01 and BJ02 are able to send relevant signals at maximum, middle and minimum flow.The switches are mounted on certain selected position of rail and whenever magnetic float reaches or passes the switch level,signals will be sent out for internal contact actuation of either opening or closing

3.Technical Parameter

Rated Voltage:max DC24/AC24 Rated Amperage: max0.3A Steady Current at Switches

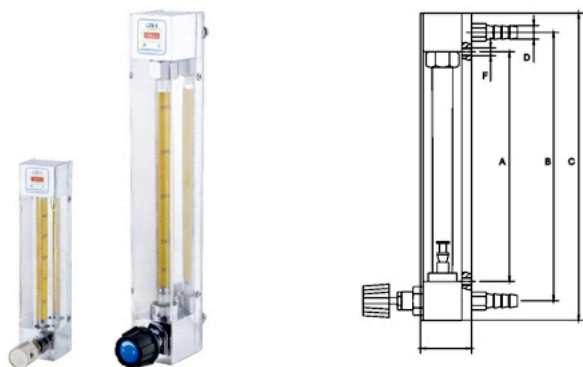
Opening or Closing:IP65 Displacement (position on or off):≤4mm

4.Precautions

- 1)Keep off from ambient magnetic disturbance during mounting e.g.large motors etc;
- 2)Flow media should be free from ferromagnetic foreign matters;
- 3)Ensure pipes or tubes to be mounted with the flowmeters free from any potential vibration in case switch contact actuates accidentally.



LZB and LZB-F Class Tube Ratameter



LZB-15-3/4/6/10

Technical Parameters

Model	Range		Working Pressure	Accuracy
	Water	Air(0.1013MPa)		
3	0.4-4ml/min 0.6-6ml/min 1-10ml/min 1.6-16ml/min 2.5-25ml/min 4-40ml/min 6-60ml/min 10-100ml/min	6-60ml/min 10-100ml/min 16-160ml/min 25-250ml/min 40-400ml/min 60-600ml/min 100-1000ml/min 160-1600ml/min	≤1.0MPa	±2.5%
4	1-10l/h 1.6-16l/h 2.5-25l/h	16-160l/h 25-250l/h 40-400l/h		
6	2.5-25l/h 4-40l/h 6-60l/h	40-400l/h 60-600l/h 100-1000l/h		
10	6-60l/h 10-100l/h 16-160l/h	100-1000l/h 160-1600l/h 250-2500l/h		

Dimension

Model	Size (mm)					
	A	B	C	D	E	F
LZB-3		116	136	∅8	26x25	
LZB-4	178	204	234	∅9	39.5x34	2-M6
LZB-6	178	204	234	∅9	39.5x34	2-M6
LZB-10	178	208	238	∅12	39.5x34	2-M6



LZB-15-100

Technical Parameters

Model	Range		Working Pressure	Accuracy
	GPM	Gas(0.1013MPa)		
15	16-160l/h 25-250l/h 40-400l/h	0.25-2.5m³/h 0.40-4m³/h 0.60-6m³/h	≤0.6MPa	±2.5%
25	40-400l/h 60-600l/h 100-1000l/h	1-10m³/h 1.6-16m³/h 2.5-25m³/h		
40	160-1600l/h 250-2500l/h	4-40m³/h 6-60m³/h		
50	400-4000l/h 600-6000l/h	10-100m³/h 16-160m³/h	≤0.4MPa	±1.5%
80	1-10m³/h 1.6-16m³/h	50-250m³/h 80-400m³/h		
100	5-25m³/h 8-40m³/h	12-600m³/h 200-1000m³/h		

Dimension

Model	Size (mm)				
	A	B	C	D	E
LSB-15	∅95	∅65	470	∅15	4-∅14
LSB-25	∅115	∅85	470	∅25	4-∅14
LSB-40	∅145	∅110	570	∅40	4-∅14
LSB-50	∅160	∅125	570	∅50	4-∅18
LSB-80	∅185	∅150	660	∅80	4-∅18
LSB-100	∅205	∅170	660	∅100	4-∅18



LZB Glass Tube Rotameter

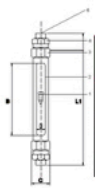
LZB-VA/SA/FA10 Series

This is a highly accurate glass rotameter with diversified joints and various options of scalings from to percentage. VA10 is threaded connection. SA10 is hose connection, FA10 is movable flange connection.

Main Technical Parameters

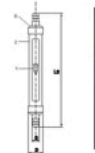
Model	Diameter (mm)	Range		Accuracy (±%)	Temperature	Working Pressure		
		Water 20°C (L/h)	Air 101325Pa20°C (m³/h)					
VA 10-15 FA 10-15 WA10-15	15	4-40 10-100 16-160 25-250 36-360 46-460 65-650	6.3-63 12-120 20-200 30-300 40-400 63-630 75-750	0.12-1.2 0.3-3 0.5-5 0.8-8 1.2-12	0.2-2 0.4-4 0.6-6 0.9-9 2-20	-20°C~+60°C or -20°C~+120°C	≤1.0MPa	
VA 10-25 FA 10-25 WA 10-25	25	4-400 63-630 100-1000 160-1600 250-2500	50-500 80-800 120-2000 200-2000 300-3000	1.6-16 2.5-25 4-40 6-60	2-20 3-30 5-50			
VA 10-40 FA 10-50 WA 10-50	40	160-1600 250-2500 400-4000	200-2000 300-3000 500-5000	5-50 8-80 12-120	6-60 9-90			≤0.9MPa
VA 10-50 FA 10-50 WA 10-50	50	250-2500 400-4000 630-6300 1000-10000 4000-16000	300-3000 500-5000 800-8000 1500-15000	10-100 16-160 30-300	12-120 20-200			≤0.7MPa

VA 10 Outline Dimension



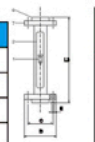
Diameter (mm)	Display window size a x b	VA10S Threaded Connection		
		L1	C	Thread
15	26x230	408	53	1/2" BSP
25		414	75	1" BSP
40	40x230	428	92	1 1/2" BSP
50	50x230	431	116	2" BSP

SA 10 Outline Dimension



Diameter (mm)	Display window size a x b	SA10S Threaded Connection		
		L1	C	Thread
15	26x230	400	Φ13.5	Φ44
25		450	Φ27	Φ65
40	40x230		Φ44	Φ80
50	50x230		Φ53	Φ103

FA 10 Outline Dimension



Diameter (mm)	Display window size a x b	FA10S Threaded Connection			
		L3	L1	C	Thread
15	26x230	320	Φ65	Φ95	4-Φ14
25			Φ85	Φ115	
40	40x230		Φ110	Φ145	4-Φ18
50	50x230	Φ125	Φ160		

Material of 10 Series

NO.	Material	NO.	Material
1	SS304 Ss316	5	SS304, 45#
2	45#	6	SS304, AL
3	AL or SS304	7	SS304, 45#
4	45# or Ss304	8	AL, SS304



LZB Glass Tube Rotameter

This Series of flowmeter is made of S5304. There are female Screw thread, Flange Connection and Tri-clamp connection for choice. It is featured in nice looking and low weight.

Main Technical Parameters

Model	Diameter (mm)	Range(L/h)		Accuracy (±%)	Temperature	Working Pressure
		Water 20°C	Air 101325Pa20°C (m³/h)			
VA 30S-15 FA 30S-15 WA 30S-15	15	4-40 10-100 16-160 25-250 36-360 46-460 65-650	6.3-63 12-120 20-200 30-300 40-400 63-630 75-750	0.12-1.2 0.3-3 0.5-5 0.8-8 1.2-12	0.2-2 0.4-4 0.6-6 0.9-9 2-20	≤1.0MPa
VA 30S-25 FA 30S-25 WA 30S-25	25	4-400 63-630 100-1000 160-1600 250-2500	50-500 80-800 120-2000 200-2000 300-3000	1.6-16 2.5-25 4-40 6-60	2-20 3-30 5-50	
VA 30S-40 FA 30S-40 WA 30S-40	40	160-1600 250-2500 400-4000	200-2000 300-3000 500-5000	5-50 8-80 12-120	6-60 9-90	≤0.9MPa
VA 30S-50 FA 30S-50 WA 30S-50	50	250-2500 400-4000 630-6300 1000-10000 4000-16000	300-3000 500-5000 800-8000 1500-15000	10-100 16-160 30-300	12-120 20-200	≤0.7MPa

LZB-VA 30S Glass Tube Rotamer Outline Dimensions (mm)

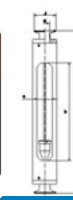
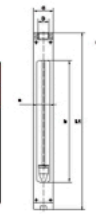
Diameter (mm)	Display window size a x b	VA30S Threaded Connection		
		L1	C	D
15	26x236	344	Φ38	1/2" BSP
25	34x226	348	Φ55	1" BSP
40	44x226	370	Φ70	1 1/2" BSP
50	60x216	380	Φ90	2" BSP

LZB-FA 30S Glass Tube Rotamer Outline Dimensions (mm)

Diameter (mm)	Display window size a x b	VA30S Threaded Connection			
		L2	E	F	n-G
15	26x236	348	Φ65	Φ95	4-Φ14
25	34x226	348	Φ85	Φ115	4-Φ14
40	44x226	370	Φ110	Φ145	4-Φ18
50	60x216	370	Φ125	Φ160	4-Φ18

LZB-WA 30S Glass Tube Rotamer Outline Dimensions (mm)

Diameter (mm)	Display window size a x b	VA30S Threaded Connection		
		L3	J	K
15	26x236	376	50.5	3/4"
25	34x226	376	50.5	1"
40	44x226	376	50.5	1 1/2"
50	60x216	376	64	2"

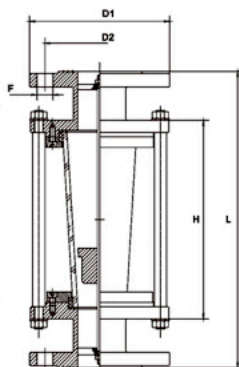


LZB Glass Tube ROtameter

LZB-FA100 Series

LZB-FA100 Glass Rotator Flowmeter, This flowmeter is highly sensitive and works in a wide range with low pressure loss, besides other advantages e.g easy to operate etc. It is usually used for low pressure, high temperature shear liquid or gases without suspending particles and has been widely employed in various industries e.g petroleum, chemicals, electronics, environmental protection, power supply and medicine etc.

Working Temperature: SS304 $\leq 120^{\circ}\text{C}$
Accuracy: $\pm 3\%$ F.S
Range Rate: 10:1



Fa100外形尺寸图

Main Technical Parameters

Diameter (mm)	Range		Working Pressure (Mpa)	
	Water (L/h)	Air (NL/min)		
15	30-300	10-100	≤ 0.8	
	60-600	20-200		
	80-800	25-250		
20	90-900	20-200		≤ 0.8
	120-1200	30-300		
25	180-1800	50-500		≤ 0.8
	300-3000	100-1000		
32	480-4800	150-1500		≤ 0.6
	600-6000	100-1000		
40	720-7200	150-1500		≤ 0.6
	1-10m ³ /h	18-180Nm ³ /h		
50	1.2-12m ³ /h	20-200Nm ³ /h	≤ 0.6	
	1.5-15m ³ /h	25-250Nm ³ /h		
	1.8-18m ³ /h	30-300Nm ³ /h		
65	3-30m ³ /h	25-250Nm ³ /h	≤ 0.4	
	4-40m ³ /h	35-350Nm ³ /h		
	5-50m ³ /h	40-400Nm ³ /h		
80	6-60m ³ /h	50-500Nm ³ /h	≤ 0.4	
	7-70m ³ /h	60-600Nm ³ /h		
	10-100m ³ /h	70-700Nm ³ /h		
100	9-90m ³ /h	90-900Nm ³ /h	≤ 0.4	
	10-100m ³ /h	90-900Nm ³ /h		
	10-100m ³ /h	90-900Nm ³ /h		

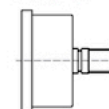
LZB-FA100 Outline and Installation Dimensions (mm)

Model	FA100-15	FA100-20	FA100-25	FA100-32	FA100-40	FA100-50	FA100-65	FA100-80	FA100-100
L	260	340	340	340	340	340	390	390	410
H (Glass tube length)	150	200	200	200	200	200	250	250	250
D1	95	105	105	135	145	165	180	185	205
D2	65	75	85	100	110	125	145	150	170
F	4- \varnothing 14	4- \varnothing 14	4- \varnothing 14	4- \varnothing 18	4- \varnothing 18	4- \varnothing 18	4- \varnothing 18	4- \varnothing 18	4- \varnothing 18

FZ-Series Pressure Gauge



Back connection with barder



Back connection



Bottom Connection

Diameter	Model	Installation	Range (MPa)	Threads	Casing Material	Accuracy
1 1/2"	Y-40	Radial	0.1 0.16 0.25	1/8" NPT BSPT BSP M10x1	Stainless steel case SS304	$\pm 2.5\%$
	Y-40Z	Back connection	0.4, 0.6 1. 1.6 2.5. 4. 6			
	Y-40ZT	Back connection with barder				

Diameter	Model	Installation	Range (MPa)	Threads	Casing Material	Accuracy
2"	Y-50	Radial	0.1 0.16 0.25	1/8" 1/4" NPT BSPT BSP M20x1.5	Stainless steel case SS304	$\pm 2.5\%$
	Y-50Z	Back connection	0.4, 0.6 1. 1.6 2.5. 4. 6			
	Y-50ZT	Back connection with barder	10. 16 25. 40			

Diameter	Model	Installation	Range (MPa)	Threads	Casing Material	Accuracy
2 1/2"	Y-60	Radial	0.1 0.16 0.25	1/8" 1/4" NPT BSPT BSP M14x1.5	Stainless steel case SS304	$\pm 2.5\%$
	Y-60Z	Back connection	0.4, 0.6 1. 1.6 2.5. 4. 6			
	Y-60ZT	Back connection with barder	10. 16 25. 40. 60			

Diameter	Model	Installation	Range (MPa)	Threads	Casing Material	Accuracy
4"	Y-100	Radial	0.1 0.16 0.25	3/8" 1/2" NPT BSPT BSP M20x1.5	Stainless steel case SS304	$\pm 1.6\%$
	Y-100Z	Back connection	0.4, 0.6 1. 1.6 2.5. 4. 6			
	Y-100ZT	Back connection with barder	10. 16 25. 40. 60			

Note: Also can wake Barand KG/cm²

Pre-Filter

1. Drinking mode	Need to match other water purifier, can't direct drinking.
2. Filtration accuracy	40um~60um
3. Pressure range	0.1~2MPa.
4. Size of inlet and outlet	G1/2" G3/4" G1" or NPT.
5. Water quality	Tap water.
6. Installation location	Behind the pipeline water Meter or before the water purifier.

SHL-01



SHL-02



SHL-05



SHL-06



SHL-03



SHL-04

