

SEM2252 Series Soil Temperature/Humidity/EC/PH/NPK Rapid Tester

MAIN FEATURES

- High sensitive probe
- 3.7V low Lithium battery, long power consumption
- LCD digital display, clear reading
- Quick and easy measurement
- Hand-held design, convenient for users to carry



OVERVIEW

SEM2252 soil rapid tester is a sensor developed by our company to quickly detect soil components. The sensor shape adopts a hand-held design, which is convenient for users to carry. The probe adopts a four-pin probe design and is made of stainless steel. It has good corrosion resistance and strong toughness.

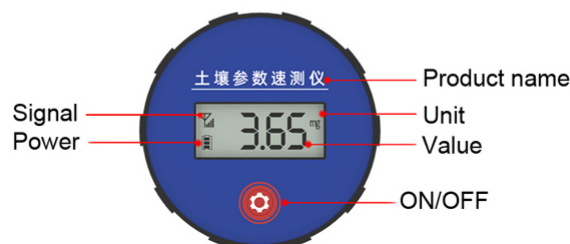
The sensor can accurately detect and display a variety of components in the soil in real time, such as: soil temperature and humidity, soil conductivity, and soil nitrogen, phosphorus, and potassium components; soil composition indicators play a very important role in the growth of crops, using our research and development The detector can accurately detect various components in the soil, and improve the soil through the detected data to achieve the purpose of monitoring the supply of plant nutrients, so that the crops are in the best living environment, thereby increasing the yield.

The sensor is widely used in farmland production, soil research, greenhouse planting, orchard nursery, horticultural planting, tree planting, potted planting and other fields.

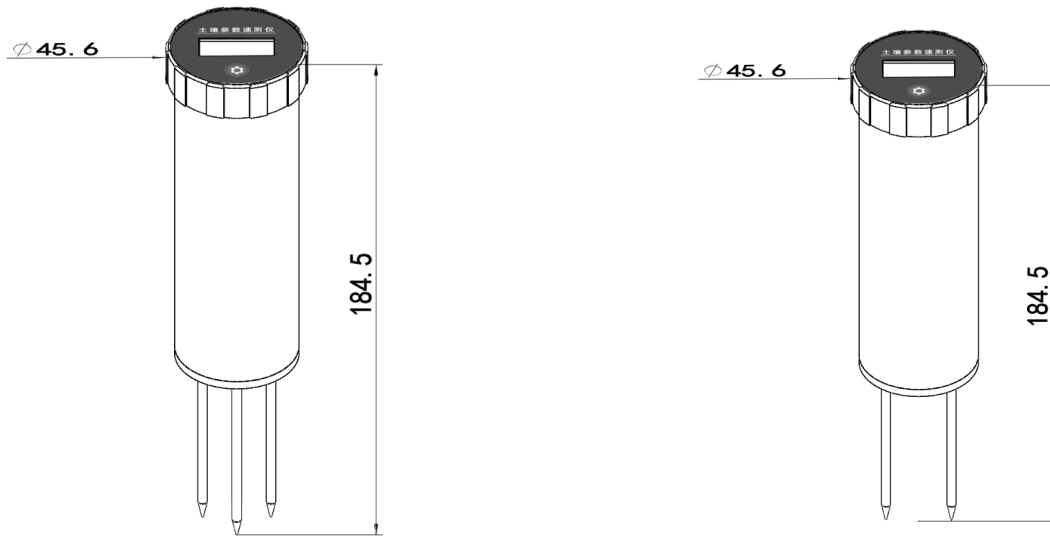
SPECIFICATION

PARAMETERS	Soil moisture	Soil temperature	Soil EC	Soil PH	Soil NPK
Range	0~100%	-40~80°C	0-10000us/cm	3~9PH	0~1999mg/kg (mg/L)
Accuracy	2% within 0-50%, 3% within 50-100%	±0.5°C (25°C)	±3% (brown earth, 60%RH, 25°C)	±0.3PH (brown earth, 60%RH, 25°C)	±2%FS
Resolution	0.1%	0.1°C	1us/cm	0.1PH	1mg/kg (mg/L)
Response time	≤1s	≤1s	≤1s	≤10s	≤1s
Power supply	DC 3.7V lithium battery (standard battery 4000Mah used for more than 3 years), three alkaline zinc manganese batteries (used 20 times a day, can be used continuously for 1.3 years)				
Battery life	Standard battery 4000Mah (> 3 years)				
Working temperature	-20°C~+60°C				
Protection	Lithium battery power supply: IP68 Alkaline zinc manganese battery power supply: IP54				

PANEL INTRODUCTION



DIMENSION



ORDER CODE

SEM2252	Soil sensor	
	CODE	Function type
	A	Soil humidity
	B	Soil temperature
	C	Soil humidity + temperature
	D	Soil conductivity (EC)
	E	Soil humidity + EC
	F	Soil temperature + EC
	G	Soil humidity & temperature + EC
	H	Soil PH
	I	Soil humidity & temperature + PH
	J	Soil nitrogen (N)
	K	Soil phosphorus (P)
	L	Soil potassium (K)
	M	Soil N+P+K
SEM2252	E	Order example