

SEM254 Duct temperature and humidity transmitter

MAIN FEATURES

- Support AC and DC power supply, can be applied to four-wire and three-wire connection at the same time;
- Temperature accuracy $\pm 0.3\text{ }^{\circ}\text{C}$, humidity accuracy $\pm 3\%$ RH, high precision, low drift;
- $-40\sim 80^{\circ}\text{C}$, $-35\sim 35^{\circ}\text{C}$, $-35\sim 50^{\circ}\text{C}$, $0\sim 50^{\circ}\text{C}$ and other temperature range dialing settings, the site can be freely changed, other ranges can also be customized;
- The use of dedicated EMC anti-interference devices, the site can withstand strong electromagnetic interference, industrial-grade processing chips, a wide range of use;
- The terminal block adopts the military-grade spring-type screw-free terminal, which can be connected by one press and one plug. The wire can be quickly connected even if there is no screwdriver at the site, and the wire diameter can be adjusted to 0.3~2.0mm.



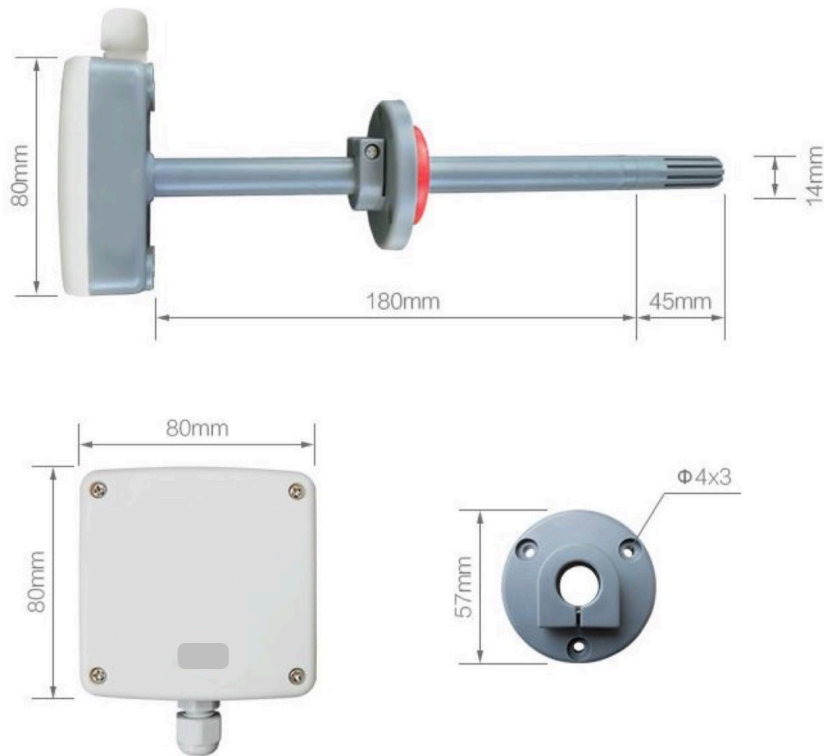
OVERVIEW

Professionally used in pipeline temperature and humidity measurement, using standard industrial interface 4 ~ 20mA / 0 ~ 10V / 0 ~ 5V analog signal output or RS485 output, using imported temperature and humidity measurement unit, small drift, high precision. Pipeline installation method, easy to install on site.

SPECIFICATION

Items	Parameter	
DC power supply (default)	DC 10~30V (0~10V output type can only be powered by 24V)	
Maximum power consumption	Analog output	1.2W
	RS485 output	0.1W
Precision A (default)	humidity	$\pm 2\%$ RH (5% RH~95% RH, 25 $^{\circ}$ C)
	temperature	$\pm 0.4^{\circ}\text{C}$ (25 $^{\circ}$ C)
Precision B (default)	humidity	$\pm 3\%$ RH (5% RH~95% RH, 25 $^{\circ}$ C)
	temperature	$\pm 0.5^{\circ}\text{C}$ (25 $^{\circ}$ C)
Long-term stability	humidity	$\leq 1\%$ RH/y
	temperature	$\leq 0.1^{\circ}\text{C}/\text{y}$
Response time	humidity	$\leq 8\text{s}$ (1m/s wind speed)
	temperature	$\leq 25\text{s}$ (1m/s wind speed)
Output signal	Analog output	4~20mA, 0~5V/0~10V
	Digital output	RS485
Load capacity	Current output	Output resistance $\leq 250\Omega$
	Voltage output	$\leq 600\Omega$
Transmitter circuit operating temperature and humidity	$-40^{\circ}\text{C}\sim +60^{\circ}\text{C}$, 0%RH~80%RH	
Probe operating temperature	$-40^{\circ}\text{C}\sim +120^{\circ}\text{C}$, default $-40^{\circ}\text{C}\sim +80^{\circ}\text{C}$	
Probe working humidity	0%RH-100%RH	

DIMENSION



ORDER CODE

Code:	A	-	B	-	C
SEM	254	-	S4	-	AC

Model	Code A
Temperature and humidity transmitter	254
Signal output	Code B
4~20mA current output	S4
0~5V voltage output	S5
0~10V voltage output	S1
RS485 output	R

Power supply	Code C
DC power supply duct temperature and humidity	N
AC and DC power supply duct temperature and humidity	AC

Order Example:

SEM254-S4-L
 Temperature and humidity transmitter
 4~20mA current output
 AC and DC power supply duct temperature and humidity