

SEM328 EX Gas sensor

FEATURES

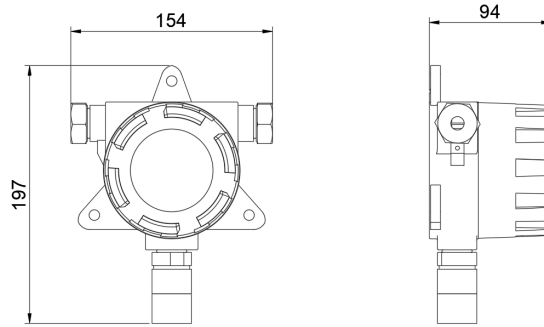
- The on-site power supply adopts 10~30V DC wide-voltage power supply, supports a variety of gas detection, and the range can be customized;
- The gas transmitter adopts imported first-line brand electrochemical sensor, which has the characteristics of rapid response and strong anti-interference ability;
- Wide voltage 10-30V DC power supply, standard Modbus-RTU communication protocol 485 signal output, address and baud rate can be set, the communication distance is up to 2000 meters;
- Using remote infrared remote control technology, after our unique compensation algorithm, multi-stage standard gas calibration, it also has the characteristics of long life, high precision, high repeatability and high stability;
- Optional high-quality LCD screen, the value can be viewed directly on site, and can be displayed clearly at night.



SPECIFICATION

Gas	Range	Resolution	Response time	Accuracy
CO2	0-5000PPM/10000PPM	1PPM	≤90s	±5%(F.S)
O2	0-30VOL	0.1%VOL	≤15s	±5%(F.S)
O3	0-100PPM	1PPM	≤15s	±5%(F.S)
H2S	0-100PPM	1PPM	≤30s	±5%(F.S)
CH4	0-100%LEL	1%LEL	≤5s	±5%(F.S)
CO	0-1000PPM/2000PPM	1PPM	≤25s	±5%(F.S)
NO2	0-20PPM	0.1PPM	≤25s	±5%(F.S)
SO2	0-20PPM	0.1PPM	≤30s	±5%(F.S)
H2	0-1000PPM	1PPM	≤60s	±5%(F.S)
NH3	0-100PPM	1PPM	≤50s	±5%(F.S)
TVOC	0-60PPM	0.001PPM	≤60s	±5%(F.S)
Signal output	RS485, 4~20mA, 0-10V, 0-5V			
Working environment	Temperature -20°C-50°C; humidity <95%RH without condensation			
Relay with load capacity	250VAC 1A/30VDC 1A			
Power consumption	RS485 type: 0.35W, analog type: 1.0W			
Voltage	DC 10-30V			
Working pressure	80~120Kpa			
EX	Ex d IIC T6 Gb			

DIMENSION



ORDER CODE

SEM328	Gas sensor					
	CODE	Parameters				
	O2	O2 transmitter 25VOL range				
	H2S	H2S transmitter 100 ppm range				
	CH4	CH4 transmitter 100 LEL range				
	CO2-5000P	CO2 transmitter 5000 ppm range				
	CO-2000P	CO transmitter 2000 ppm range				
	NO2-20P	NO2 transmitter 20ppm range				
	NO2-2000P	NO2 transmitter 2000ppm range				
	SO2-20P	SO2 transmitter 20ppm range				
	SO2-2000P	SO2 transmitter 2000ppm range				
	H2-1000P	H2 transmitter 1000ppm range				
	H2-4000P	H2 transmitter 4000ppm range				
	NH3-50P	NH3 transmitter 50ppm range				
	NH3-100P	NH3 transmitter 100ppm range				
	PH3	PH3 transmitter 20ppm range				
	O3	O3 transmitter 100ppm range				
		CODE	Display			
		1	With display			
		2	Without display			
			CODE	Output		
		1	RS485(modbus)			
		3	0~5V			
		4	0~10V			
		5	4~20mA			
			CODE	Alarms		
			0	Without alarm		
			1	With alarm		
SEM328	O2+H2S+CH4	1	1	0	-	