

SEM334 Liquid crystal gas transmitter

FEATURES

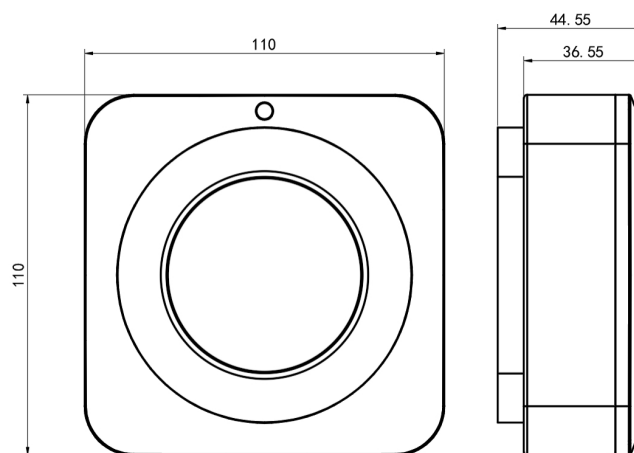
- First-line electrochemical sensors of major brands are used inside, which are stable and durable.
- High-quality LCD screen, the value can be directly viewed on site.
- It supports a variety of gas detection, and the range can be customized. It adopts remote infrared remote control technology, and the parameters can be modified without disassembly.
- When the concentration exceeds the preset alarm value, an audible and visual alarm signal will be issued to remind users to take safety measures in time to prevent explosion and poisoning accidents.



SPECIFICATION

Power supply	10~30V DC	
Average power consumption	0.6W (24VDC)	
Output signal	485 output (standard Modbus protocol)	
Repeatability	NH3/H2/CO(1000ppm)/H2S/CH4/NO2/SO2/CH2O/O3/PH3: ≤2% CO(2000ppm) : ≤3% O2: ≤1%	
Stability	CO(1000ppm)/H2S/H2/NO2/SO2/NH3/PH3	≤2% signal value/month
	CH4/CH2O/O3	≤7% signal value/year
	CO(2000ppm)/O2	≤5% signal value/year
Working temperature	H2/CO/H2S/CH4/NO2/SO2/O2/NH3/PH3/O3: -20~50°C	
Working humidity	NH3/H2/CO/H2S/NO2/SO2/O3/PH3: 15~90%RH without condensation O2: 5~95%RH non-condensing CH4: 0~95%RH non-condensing	
Working pressure	NH3/H2/CO(1000ppm)/H2S/SO2/O2/PH3	90~110Kpa
	NO2	91~111Kpa
	CH4	80~116Kpa
	CO(2000ppm)	80~120Kpa
Preheat time	NH3/H2/CO/H2S/CH4/NO2/SO2/O3/O2/PH3: ≥5 minutes	

DIMENSION



ORDER CODE

SEM334	Liquid crystal gas transmitter		
	CODE	Parameters	
	O2	O2 transmitter 25VOL range	
	H2S	H2S transmitter 100 ppm range	
	CH4	CH4 transmitter 100 LEL range	
	CO-1000P	CO transmitter 1000 ppm range	
	CO-2000P	CO transmitter 2000 ppm range	
	NO2-20P	NO2 transmitter 20ppm range	
	NO2-2000P	NO2 transmitter 2000ppm range	
	SO2-20P	SO2 transmitter 20ppm range	
	SO2-2000P	SO2 transmitter 2000ppm range	
	H2-1000P	H2 transmitter 1000ppm range	
	H2-4000P	H2 transmitter 4000ppm range	
	NH3-50P	NH3 transmitter 50ppm range	
	NH3-100P	NH3 transmitter 100ppm range	
	PH3	PH3 transmitter 20ppm range	
	O3	O3 transmitter 100ppm range	
			CODE
		1	RS485 (Modbus protocol)
		2	Two bus output (Modbus protocol)
SEM334	O3+CO2+CH4	1	Order example