

## SEM404 High quality ABS shell tipping bucket rain gauge

### MAIN FEATURES

- Small size, easy to install; high precision and good stability;
- Good linearity, long transmission distance and strong anti-interference ability;
- The mesh is designed at the funnel to prevent debris and other debris from blocking the downstream flow;
- The instrument casing is made of ABS engineering plastic, which can not be rusted and has good appearance quality;
- The rain inlet is made of ABS engineering plastic, which has high finish and small error caused by water retention.
- The tipping member support system is well-made, and the friction torque is small, so the tipping member is turned over sensitively, the performance is stable, and the work is reliable.



### OVERVIEW

SEM404 is a precipitation measurement instrument, and its performance meets the requirements of the national standard GB/T 21978.2-2014 "Precipitation Observation Requirements".

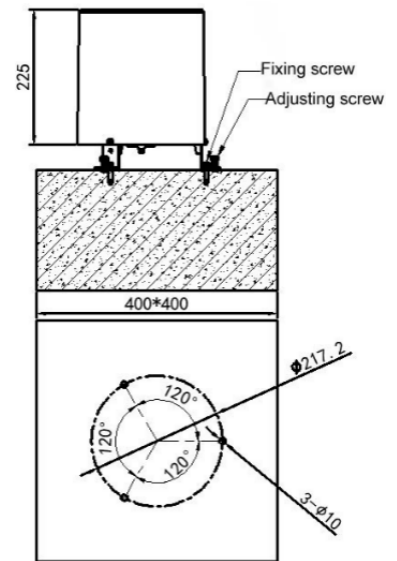
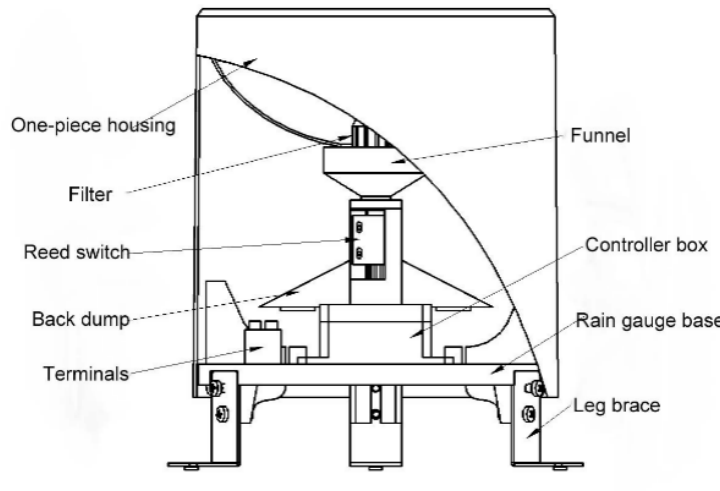
The core component of the instrument, the tipping bucket, adopts a three-dimensional streamlined design, which makes the tipping bucket turn water more smoothly, and has the functions of self-cleaning dust and easy cleaning. The rainfall can be directly read, without the need for secondary calculation, which is simple and convenient.

The tipping bucket of the instrument is equipped with a constant magnet steel, and the reed switch bracket is equipped with a reed switch. When the instrument leaves the factory, the magnetic steel and the reed switch have been adjusted to a suitable coupling distance, so that the output signal of the instrument is proportional to the number of times the tipping bucket is turned over relation.

### SPECIFICATION

Rain gauge cylinder diameter	Φ200mm
Resolution	default 0.2mm, optional 0.5mm
Cutting edge acute angle	40°~45°
Measurement error	≤±3% (indoor artificial precipitation, subject to the discharge of the instrument itself)
Rain intensity range	0mm~4mm/min (maximum rain intensity allowed to pass 8mm/min)
Output model	4~20mA/0~2V/0~5V/0~10V, pulse type, 485 communication (standard MODBUS-RTU protocol)
Power supply range	4.5~30V
Maximum power consumption	0.24W
Working environment	0~50°C, <95%(40°C)
Storage environment	-40~125°C, <80% (non-condensing)
Withstand voltage	≤100V (pulse type)
Withstand current	≤0.5A (pulse type)

**CONSTRUCTURE & DIMENSION**



**ORDER CODE**

<b>Code:</b>	A	-	B	-	C
<b>SEM</b>	404	-	ABS	-	R

Model	Code A
Rain gauge	404
Material	Code B
High quality ABS shell	ABS

Signal output	Code C
485 signal output (Standard MODBUS-RTU protocol)	R
Pulsed output	P
Analog output	A