

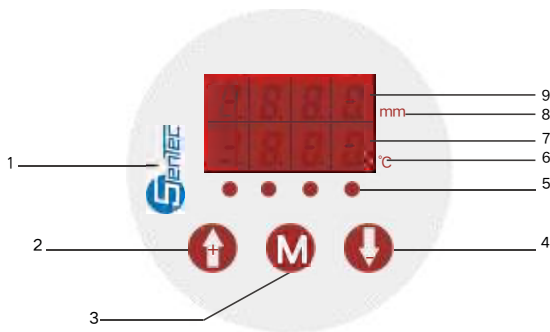
SFLS800 Electronic temperature and level sensor



outputsignal

measurement	Switch output		Analog output
	OUT1	OUT2	
Liquid level	PNP/NPN	PNP/NPN	4...20mA / 0...20mA
	OUT3	OUT4	4...20mA / 0...20mA
temperature	PNP/NPN	PNP/NPN	4...20mA / 0...20mA

Panel diagram



serial number	function	serial number	function
1	LOGO	6	Temperature unit
2	Add/serve menu key	7	Temperature value
3	Confirm/exit key	8	Liquid level units
4	Reduce/down menu key	9	Liquid level value
5	Output indicator		

Product principle

SFLS800 electronic liquid level/temperature integrated sensor can simultaneously output multiple signals, which can satisfy the monitoring level of liquid level and temperature in different places. At the same time, it can reduce the number of holes in the user's box, simplify and miniaturized design, and meet the requirements of equipment upgrade with beautiful appearance (PNP/NPN/0... 20 ma / 4... 20mA), full range scalability simulation output.

The SLFS800 can be installed flexibly according to the different environment, so that when adjusting the interface between the display and the electrical output, the direction required by the field condition can be arbitrarily modified, and it can be flexibly applied according to the cable wiring.

Product features

- easy to read, rugged LED digital display
- new design, multi-functional application
- flexible configuration, output PNP/NPN switch
- intelligent menu, variable output range can be set
- the switch point is continuously adjustable and easy to use
- temperature/liquid level 4-way switch, 2-way analog signal output

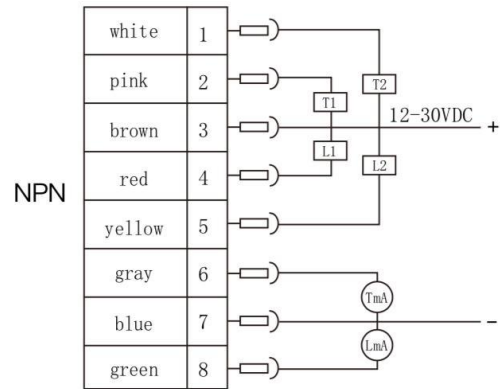
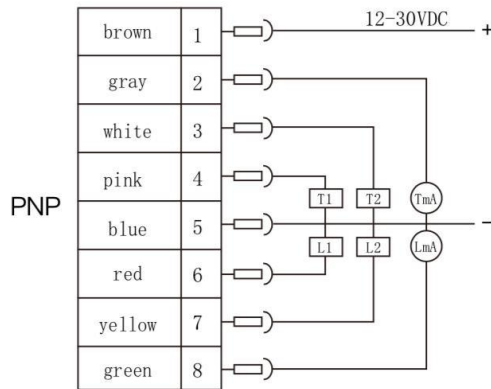
Product application

Machine tools/hydraulic and pneumatic systems/pumps and compressors/mechanical manufacturing/automation equipment

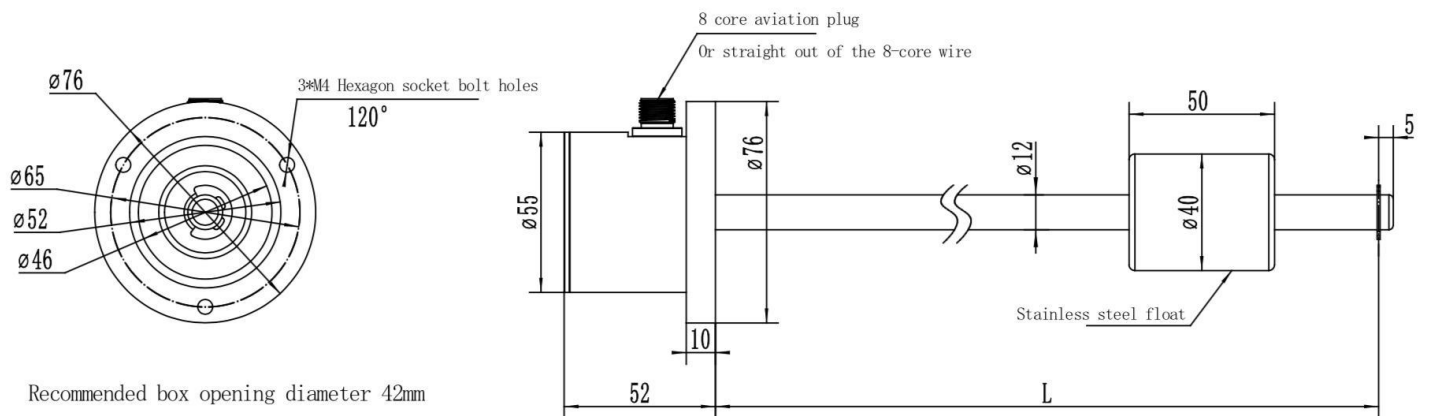
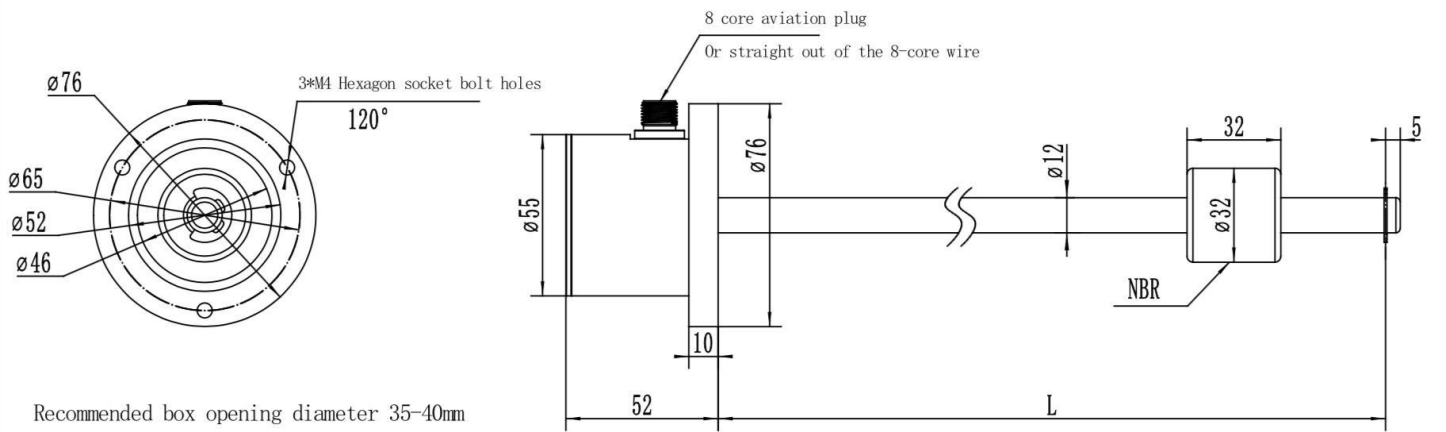
Technical parameters

- ◇ power supply:DC16... 30 v
- ◇ current consumption: up to 600mA, including switching current
- ◇ connection: straight wire, 8 - core
- ◇ safety: short circuit protection, reverse polarity protection
- ◇ insulation: DC500V
- ◇ over voltage: DC36V
- ◇ connect time: 2s
- ◇ switch functions: PNP/NPN, NO/NC arbitrary switch
- ◇ switching current: maximum 400mA
- ◇ Responsetime: switching output/analog signal ≤ 5ms
- ◇ load: analog signal 4... 20 ma Ω 500 or less
- ◇ service life: 50 million switching cycles
- ◇ measurement accuracy: 5mm
- ◇ long-term offset: 5mm
- ◇ medium temperature: -20... 85 °C
- ◇ ambient temperature: -20... 80 °C
- ◇ storage temperature: -20... 65 °C
- ◇ relative humidity: 45... 75%
- ◇ seismic resistance: 20g, 10... 2000Hz (iec60068-2-6)
- ◇ Impact resistance: 50g, 6ms (iec 60068-2-27)
- ◇ protection level: IP67
- ◇ Connecting liquid parts: 304 connecting rod /NBR float
- ◇ surface shell: aluminum alloy oxidation treatment
- ◇ electrical connections: PVC

Wiring diagram



Size chart (mm)



Selection table

SFLS800	L0100	L2	N	P	--	detailed
SFLS800						Integrated level/temperature sensor
	L0100					Measuring range:100mm
	L0150					Measuring range:150mm
	L0200					Measuring range:200mm
	L0250					Measuring range:250mm
	L0300					Measuring range:300mm
	L0350					Measuring range:350mm
	L0400					Measuring range:400mm
	L0450					Measuring range:450mm
	L0500					Measuring range:500mm
	L0550					Measuring range:550mm
	L0600					Measuring range:600mm
	L0650					Measuring range:650mm
	L0700					Measuring range:700mm
	L0750					Measuring range:750mm
	L0800					Measuring range:800mm
	L0850					Measuring range:850mm
	L0900					Measuring range:900mm
	L0950					Measuring range:950mm
	L1000					Measuring range:1000mm
		L1				cable length : 1 m
		L2				cable length : 2 m
		L3				cable length : 3 m
		L5				cable length : 5 m
			N			Floattype:NBR float (for oil)
			S			Floattype:304 float (for water)
				P		Outputway : PNP
				N		Outputway : NPN
					--	Direct line
					M	M12*1.5 aviation plug