

## SUL807 Split ultrasonic level meter

### MAIN FEATURES

- Backup and restore setting parameters
- Measure material (liquid) level, flow rate, flow rate, volume, weight, etc
- Digital filtering and echo recognition
- Fixed interference filtering function can be set manually
- Custom sound speed
- MiniSD card data acquisition
- USB output
- Micro printer



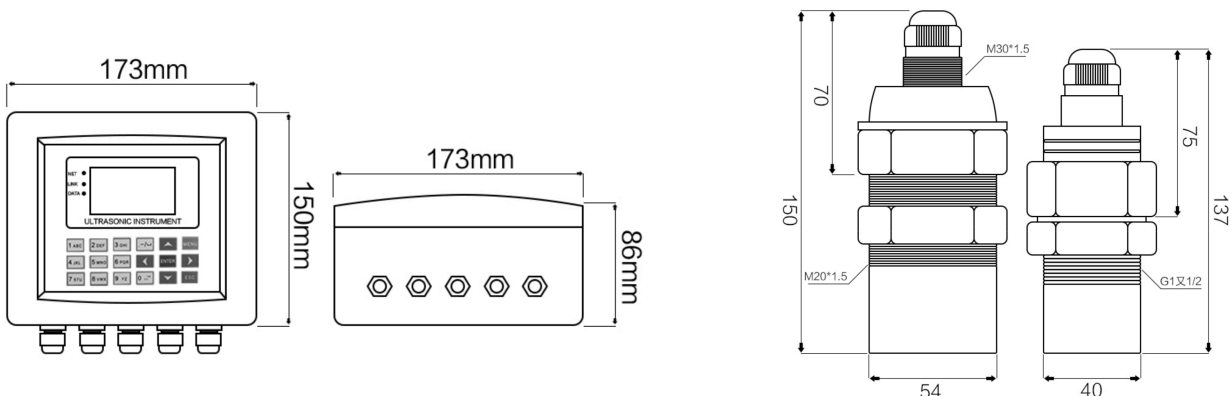
### OVERVIEW

SUL807 split type ultrasonic level meter is a widely used one, which absorbs the advantages of many kinds of level meters at home and abroad, and is easy to observe the data on site. The product has built-in wireless data transmission. This product can meet most of the requirements of liquid level and material level measurement without contacting with industrial medium, and completely solves the defects of winding, blocking, leakage, medium corrosion, inconvenient maintenance and so on caused by traditional measurement methods such as pressure type, capacitance type and float type. Therefore, it can be widely used in various fields related to material level and liquid level measurement and control.

### SPECIFICATION

ITEMS	PARAMETER
Range	5m, 10m, 15m, 20m (other range customized)
Accuracy	1%~ 3%
Resolution	5mm or 0.5% (whichever is larger)
Display	LCD
Analog output	4 ~ 20mA / 7500 load
Relay output	Single channel 2 groups AC250V / 8A or DC 30V / 5A status can be edited
Power supply	Standard 220 V AC + 15% 50 Hz, optional 24 VDC 120 mA, Customized 12VDC or battery powered
Ambient temperature	Display instrument: - 20 ~ 60 ° C, probe - 20 ~ 80 ° C
Signal communication	Optional 485232 communication (manufacturer protocol)
Protection level	Display instrument IP65, probe IP68
Probe cable	Up to 100 meters, standard 10 meters
Probe installation	According to the range and probe selection

### DIMENSION



MODEL TYPE



Economic type



Compact type



Enhanced type



Economic difference level

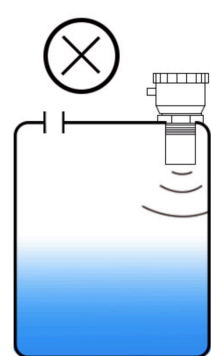
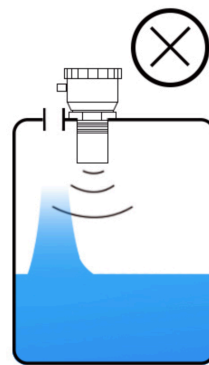
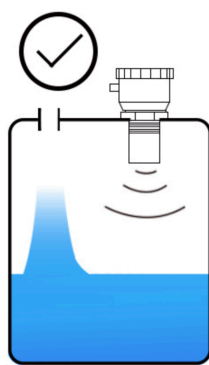
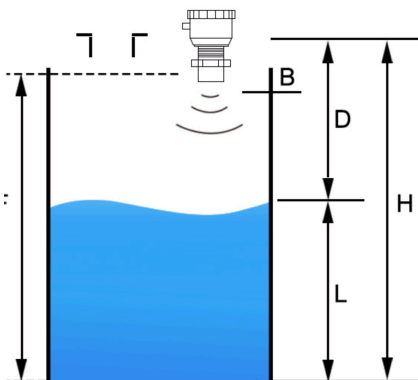


Compact difference level



Enhanced difference level

APPLICATION



ORDER GUIDE

SUL807	ultrasonic level meter					
	<b>CODE</b>	Model code				
	<b>A</b>	Economic type				
	<b>B</b>	Compact type				
	<b>C</b>	Enhanced type				
	<b>D</b>	Economic differential level				
	<b>E</b>	Compact differential level				
	<b>F</b>	Enhanced differential level				
	<b>CODE</b>	Range				
	<b>5</b>	5m				
	<b>10</b>	10m				
	<b>15</b>	15m				
	<b>C</b>	More range customized				
	<b>CODE</b>	Power supply				
	<b>A</b>	DC18-32V				
	<b>B</b>	AC220V				
	<b>C</b>	3.7V/16Ah lithium battery				
	<b>M</b>	More customized				
	<b>CODE</b>	Shell material				
	<b>A</b>	ABS				
	<b>B</b>	PP				
	<b>C</b>	PTFE				
	<b>D</b>	304				
	<b>E</b>	PVDF				
	<b>F</b>	Cast aluminum				
	<b>CODE</b>	Signal output				
	<b>A</b>	Analog output: 4-20mA, 0-20mA, 0-5V, 0-10V				
	<b>D</b>	Digital output: RS485/Modbus, HART (two-wire system)				
	<b>W</b>	Wireless transmission: GPRS, Lora, Nb, RF, Bluetooth, WiFi, etc				
	<b>S</b>	Switch output: three NPN / two relay (AC: 5A 250V DC: 10A 24V)				
SUL	807A	10	A	C	D	Order code