

WS3055 Mini UAV ultrasonic anemometer

OVERVIEW

WS3055 wind speed wind direction instrument is a kind of measuring instrument which uses ultrasonic wave to measure wind speed and wind direction by using the time difference of ultrasonic wave in the air. Ws3055 uses a low-power chip, the lowest power consumption is only 0.01W, especially suitable for solar or battery power environment with high power consumption requirements. The shell is made of ABS, aluminum alloy or stainless steel, with special anti-oxidation treatment and corrosion resistance. According to the needs of users, the protection level can be increased to IP68 to adapt to various application environments.

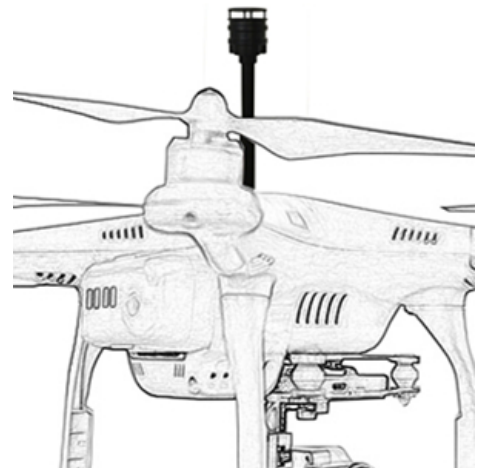


SPECIFICATION

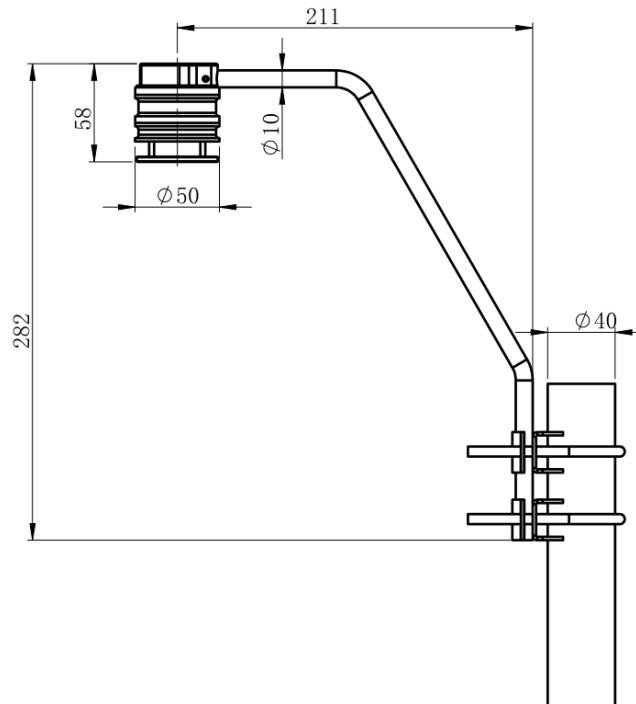
ITEMS	Range	Accuracy	Resolution
Wind speed	0 - 60m / S	±2%	0.1m/s
Wind direction	0 - 359°	±3°	1°
Power supply	DC5-30V		
Power consumption	0.01W(Min)		
Analog output	Two 4 - 20mA impedance less than 500 ohms (including cable impedance)		
Digital output	RS232, RS485, SDI-12		
Baud rate	4800-19200		
Communication	Modbus, NMEA-0183		
Protection level	IP65(IP68 customized)		
Operating environment	-40°C- +60°C,0 - 100%		
Installation	Multiple installation methods		
External dimension / weight	Φ 50 × (43-58mm) / 0.20kg (ABS); 0.28kg (aluminum alloy); 0.58kg (stainless steel)		
Material	ABS engineering plastic / black; aluminum alloy / black; 306 stainless steel / natural color		

APPLICATION

It is mainly used in weather station, UAV, special ventilation pipe, sea buoy, etc.



DIMENSION



INSTALLATION

