

SEM221 atmospheric pressure transmitter

FEATURES

- High measurement accuracy
- Built-in high performance microprocessor
- Analog and digital signal outputs are optional
- Multiple probes and designed available
- Excellent performance and long-term stability



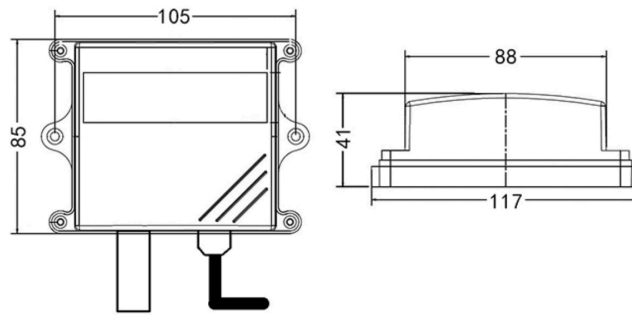
SPECIFICATION

Measurement parameters	Atmospheric pressure
Measuring range	Standard configuration 600mbar ~ 1 100mbar, other ranges can be customized
Accuracy	+ 0.5mbar
Long-term stability	+ 0.5mbar
Non-linear	≤0.2% FS
Thermal zero temperature drift	≤0.02% FS / ° C
Output signal	A: Voltage signal (0 ~ 2V, 0 ~ 2.5V, 0 ~ 5V, 0 ~ 10V, choose one of the four) B: 4 ~ 20mA (current loop) C: RS485 (standard Modbus-RTU protocol, device default address: 01) 5 ~ 24V DC (when the output signal is 0 ~ 2V, 0 ~ 2.5V, RS485)
Supply voltage	12 ~ 24V DC (when the output signal is 0 ~ 5V, 0 ~ 10V, 4 ~ 20mA)
Working current	5mA @ 5V, 3mA @ 12V, 2mA @ 24V
Response time	<1S
Working environment	Temperature:-30 ° C ~ 70 ° C; humidity: ≤95% RH

MORE TYPES SOLUTIONS

<p>Wall-mounted digital tube display</p>	<p>Outdoor Louver type</p>
<p>Wall-mounted without display</p>	<p>Wall-mounted LCD</p>

DIMENSION



ORDER CODE

SEM221	Atmospheric pressure				
	CODE	Types			
	N	Wall-mounted without display			
	L	Wall-mounted LCD display			
	S	Wall-mounted digital tube display			
	A	Outdoor Louver			
		CODE	Range		
		1	0 mbar ~ 1100 mbar		
		2	900 mbar ~ 1 100 mbar		
		3	600 mbar ~ 1100 mbar		
			CODE	Output	
			1	RS485	
			2	0~2V	
			3	0~5V	
			4	0~10V	
			5	4~20mA	
		6	Lora		
		7	GPRS		
		8	Ethernet		
		9	WIFI		
		A	NB-IOT		
			CODE	Relay	
			0	Without relay control	
			1	One relay control	
SEM221	L	1	5	1	-