

SEM327 TVOC transmitter

MAIN FEATURES

- Measuring range TVOC is 0-60000ppb;
- 10~30V wide voltage range power supply, complete specifications, easy installation, and suitable for four-wire and three-wire connection;
- RS485 communication protocol, 4~20mA, 0~5V, 0~10V three output types are optional, communication address and baud rate can be set;
- The imported high-sensitivity gas detection probe is mature in technology and uses high-performance signal acquisition circuit for stable signal and high accuracy.



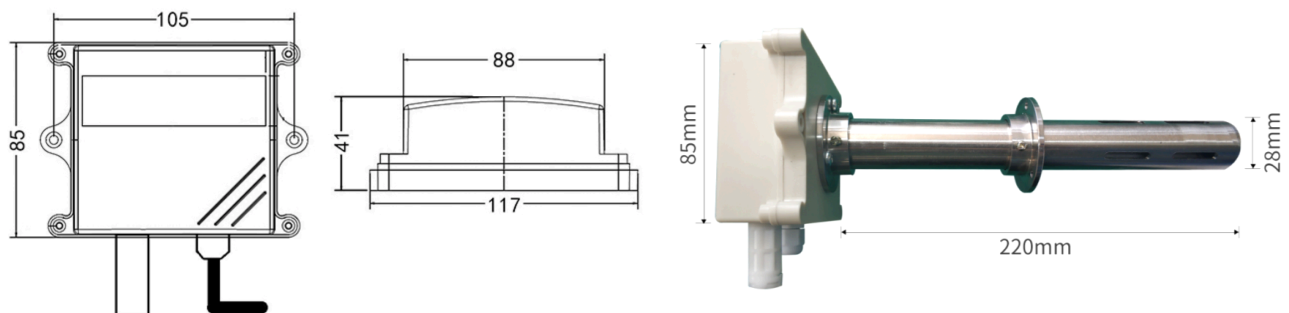
MAIN FEATURES

The TVOC transmitter introduced by our company can effectively monitor the TVOC content in the environment, and can communicate directly with PLC, user host, configuration software, etc., facilitating secondary development.

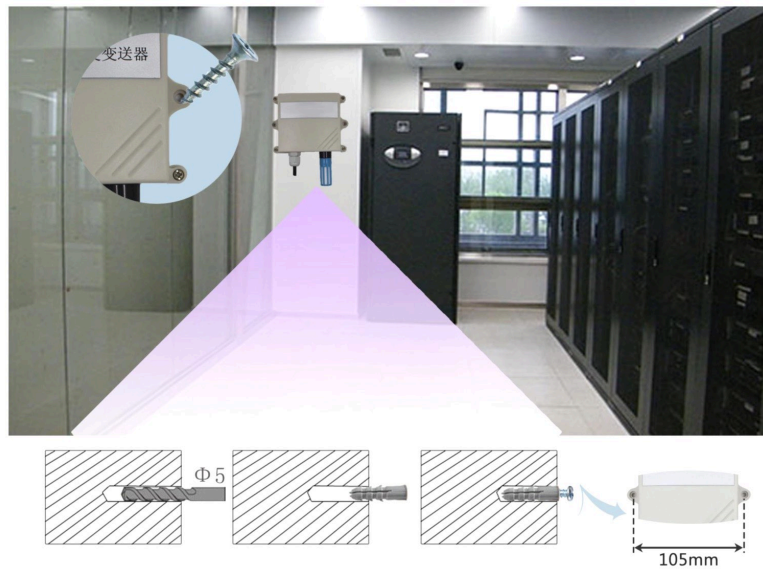
SPECIFICATION

Power supply	10~30VDC (0~10V type only supply 24VDC)
Maximum power consumption	0.5W
Working environment	-40°C~+85°C, 0%RH~95%RH
TVOC range	0~60000ppb
Measurement object	Volatile organic compounds
TVOC Resolution	1ppb
Data update time	1s
TVOCaccuracy	±8%FS±125ppb
Output signal	RS485、4~20mA、0~5V、0~10V
Installation	wall mounting

DIMENSION



APPLICATION



ORDER CODE

SEM327	TVOC transmitter				
	CODE	Types			
	A	Wall-mounted			
	B	Pipe type			
		CODE	Range		
		1	0~6000ppb		
		2	Others special range		
			CODE	Output	
			1	RS485	
			2	0~2V	
			3	0~5V	
		4	0~10V		
		5	4~20mA		
			CODE	Relay	
			0	Without relay control	
			1	One relay control	
SEM327	A	1	5	0	-