

SEM3282 NO2 concentration sensor

FEATURES

- Range 0~20ppm, 0~2000ppm optional, other ranges can also be customized;
- Imported first-line brand electrochemical sensor, stable and durable;
- High measurement accuracy, up to $\pm 3\%$ FS, repeatability up to $\pm 2\%$;
- Optional high-quality OLED display, the value can be viewed directly on site, and can be displayed clearly at night.



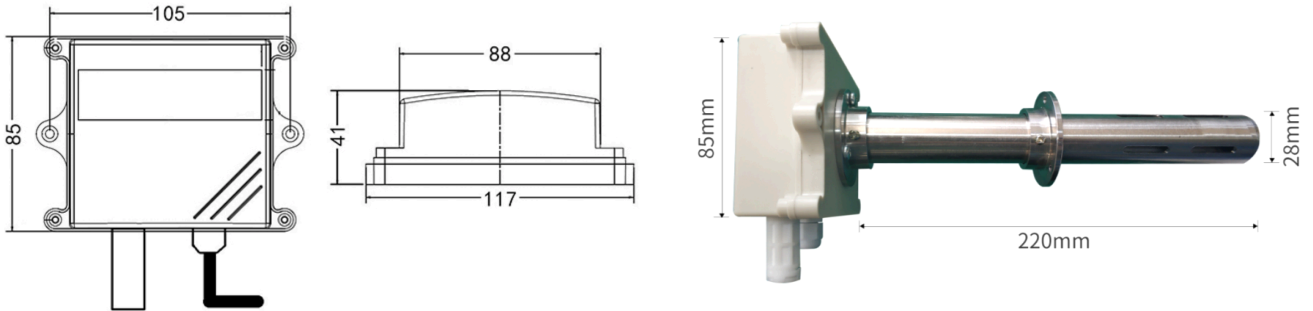
FEATURES

SEM3282 nitrogen dioxide transmitter designed by our company adopts the imported first-line brand electrochemical nitrogen dioxide sensor, which has the characteristics of rapid response and strong anti-interference ability. After our unique compensation algorithm, multi-stage standard gas calibration, it is also It has the characteristics of long life, high precision, high repeatability and high stability. It is suitable for occasions where the leakage concentration of nitrogen dioxide needs to be monitored. The equipment adopts wide-voltage 10-30V DC power supply, 485 signal output, standard Modbus-RTU communication protocol, ModBus address can be set, baud rate can be changed, and the maximum communication distance is 2000 meters.

SPECIFICATION

Power supply	10~30V DC	
Average power consumption	0.18W	
Output signal	4-20mA、0-5V、0-10V,485 output (standard Modbus protocol)	
Range	Temperature	-40°C~+80°C
	Humidity	0~100%RH
	NO2	0~20ppm、0~2000ppm
Accuracy	Temperature	$\pm 0.5^{\circ}\text{C}$ (25°C)
	Humidity	$\pm 3\%$ RH (60%RH,25°C)
	NO2	$\pm 3\%$ FS
Working temperature	-20~50°C	
Working humidity	0~95%RH non-condensing	
Working pressure	91~111Kpa	
Stability	$\leq 2\%$ signal value/year	
Repeatability	$\leq 2\%$	
Response time	20ppm: $\leq 30\text{S}$,2000ppm: $\leq 60\text{S}$	
Warm-up time	≥ 5 minutes	
Zero drift	20ppm: $\leq \pm 0.5\text{ppm}$, 2000ppm: $\leq \pm 20\text{ppm}$	
Service life	≥ 24 months	
Resolution	20ppm: 0.1ppm, 2000ppm: 1ppm	

DIMENSION



ORDER CODE

SEM3282	Nitrogen dioxide concentration				
	CODE	Types			
	A	Wall-mounted			
	B	Pipe type			
		CODE	Range		
		1	0 ~ 20ppm		
		2	Others special range		
			CODE	Output	
			1	RS485	
			2	0~2V	
			3	0~5V	
		4	0~10V		
		5	4~20mA		
			CODE	Relay	
			0	Without relay control	
			1	One relay control	
SEM3282	A	1	5	0	-