

SEM331 Hydrogen transmitter

FEATURES

- Imported first-line brand electrochemical sensor, stable and durable;
- Multiple choices of measuring range, 0~1000ppm, 0~40000ppm;
- High measurement accuracy, up to within $\pm 3\%$ FS, repeatability up to within $\pm 2\%$;
- It adopts wall-mounted waterproof shell, which is easy to install and has a high degree of protection, which can be used in harsh field environments.



OVERVIEW

SEM331 Adopt imported electrochemical sensors of major brands are used, which are stable and durable; Various measurement ranges are available, 0~1000ppm, 0~40000ppm; High measurement accuracy, up to 3% FS, repeatability up to 2%; Wall-mounted waterproof Shell, easy to install, high protection level, can be used in harsh on-site environment.

SPECIFICATION

*RS485 output

| | | |
|---------------------------|--|----------------------------------|
| Power supply | 10~30V DC | |
| Average power consumption | 0.9W | |
| Output signal | 485 output (standard Modbus protocol) | |
| Range | Temperature | -40°C~+80°C |
| | Humidity | 0~100%RH |
| | Hydrogen | 0~1000ppm、0~40000ppm |
| Accuracy | Temperature | $\pm 0.5^{\circ}\text{C}$ (25°C) |
| | Humidity | $\pm 3\%$ RH (60%RH,25°C) |
| | Hydrogen | $\pm 3\%$ FS |
| Working temperature | -20~50°C | |
| Working humidity | 15~95%RH non-condensing | |
| Working pressure | 90~110Kpa | |
| Stability | $\leq 2\%$ signal value/year | |
| Repeatability | $\leq 2\%$ | |
| Response time | 1000ppm: $\leq 70\text{S}$, 40000ppm: $\leq 60\text{S}$ | |
| Warm-up time | ≥ 5 minutes | |
| Zero drift | 1000ppm: $\leq \pm 10\text{ppm}$, 40000ppm: $\leq \pm 20\text{ppm}$ | |
| Service life | ≥ 24 months | |
| Resolution | 1ppm | |

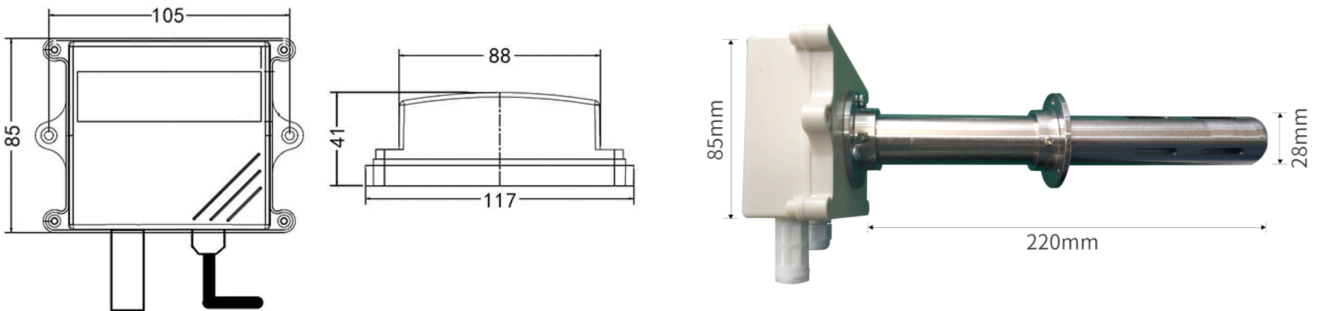
SPECIFICATION

*Analog output

| | |
|---------------------------|---|
| Power supply | 10~30V DC (0~10V output type only 24V power supply) |
| Average power consumption | 0.12W |
| Output signal | 4~20mA, 0~5V, 0~10V |
| Working temperature | -20~50°C |
| Working humidity | 15~95%RH non-condensing |

| | |
|------------------|-------------------------------------|
| Range | 0~1000ppm、0~40000ppm |
| Accuracy | ±3%FS |
| Working pressure | 90~110Kpa |
| Stability | ≤2% signal value/year |
| Repeatability | ≤2% |
| Response time | 1000ppm: ≤70S, 40000ppm: ≤60S |
| Warm-up time | ≥5 minutes |
| Zero drift | 1000ppm: ≤±10ppm, 40000ppm: ≤±20ppm |
| Service life | ≥24 months |
| Resolution | 1ppm |

DIMENSION



ORDER CODE

| | | | |
|--------|-----------------|----------------------|-----------------------------------|
| SEM331 | Gas transmitter | | |
| | CODE | Parameters | |
| | 1 | Wall mounted type | |
| | 2 | Pipe line type | |
| | | CODE | Output |
| | | A | Modbus protocol 485 signal output |
| | | B | 4~20mA current output |
| | C | 0~5V voltage output | |
| | D | 0~10V voltage output | |
| SEM331 | 1 | A | Order example |