

SEM4000 Portable ultrasonic weather station

MAIN FEATURES

- No moving or worn parts
- Maintenance free, long lifetime
- Adopts ultrasonic reflection probe make structure more compact
- Powered by 3*18650 rechargeable batteries
- Optional temperature, humidity, and atmospheric pressure sensors
- Built-in Bluetooth transmission module

APPLICATION

- Hand held meteorological multiple factor inspection
- Mobile patrol
- Power safety inspection
- Ship, harbour and maritime inspection
- Urban environmental monitoring



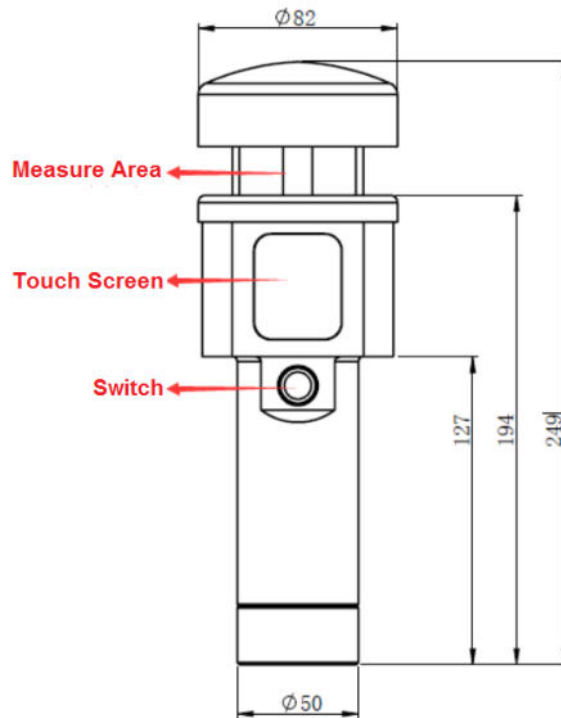
OVERVIEW

SEM4000 is composed of several sensors to measure wind speed & direction based on ultrasonic sound wave travel time difference in air, it has optional temperature, humidity and pressure sensors. It's a versatile handheld micro meteorological station, which has a screen to display real-time detection data. SEM4000 has advantages of light weight (ABS plastic shell), robust features, no moving parts, free of maintenance and site calibration, it can simultaneously output wind speed and direction, temperature, humidity, atmospheric pressure. Specially designed handle, convenient for users' operation with single hand, weight only 0.85kg. User can acquire real-time data through APP on phone connected to SEM4000 by bluetooth module, it's especially suitable for field inspection.

SPECIFICATION

ITEMS	Principle	Range	Accuracy	Resolution
Wind speed	Ultrasonic	0-40m /s	± 2%	0.1m/s
Wind direction	Ultrasonic	0-359 °	±3 °	1 °
Temperature	MEMS sensor	- 40 °C - + 80 °C	± 0.5°C	0.1 °C
Humidity	MEMS sensor	0 – 100%	±5%	1%
Atmospheric pressure	MEMS sensor	150 – 1100hPa	±1hpa	0.1hPa
Digital output	USB and Bluetooth			
Power supply	3x 18650 rechargeable lithium-ions batteries, last for over 24 hours			
IP protection	IP65			
Operating environment	-40°C - +70°C,0 - 100%			
Material	ABS engineering plastic			

DIMENSION



APPLICATION



ORDER CODE

Name	Portable ultrasonic weather station	
SEM4000	CODE	Function type
	A	Wind speed + wind direction
	B	Wind speed + wind direction+temperature +air humidity
	C	Wind speed + wind direction+temperature +air humidity+air temperature
	D	Wind speed + wind direction+temperature +air humidity+air temperature+air pressure

Note: the above parameters can be selected and combined according to the user's requirements. Please specify the specific parameters and quantity when ordering.