

SEM9600 Micro automatic meteorological station
APPLICATION

- Mainly used in smart cities
- home weather station
- Regional environmental monitoring
- Agricultural environmental monitoring.


OVERVIEW

SEM9600 small automatic weather station is a civil integrated weather station independently developed by our company that can measure multiple meteorological parameters. It can simultaneously measure atmospheric temperature, atmospheric humidity, wind speed, wind direction, air pressure, rainfall, radiation, illuminance, UV radiation, and visibility. , environmental noise, PM2.5 and PM10 and other meteorological elements.

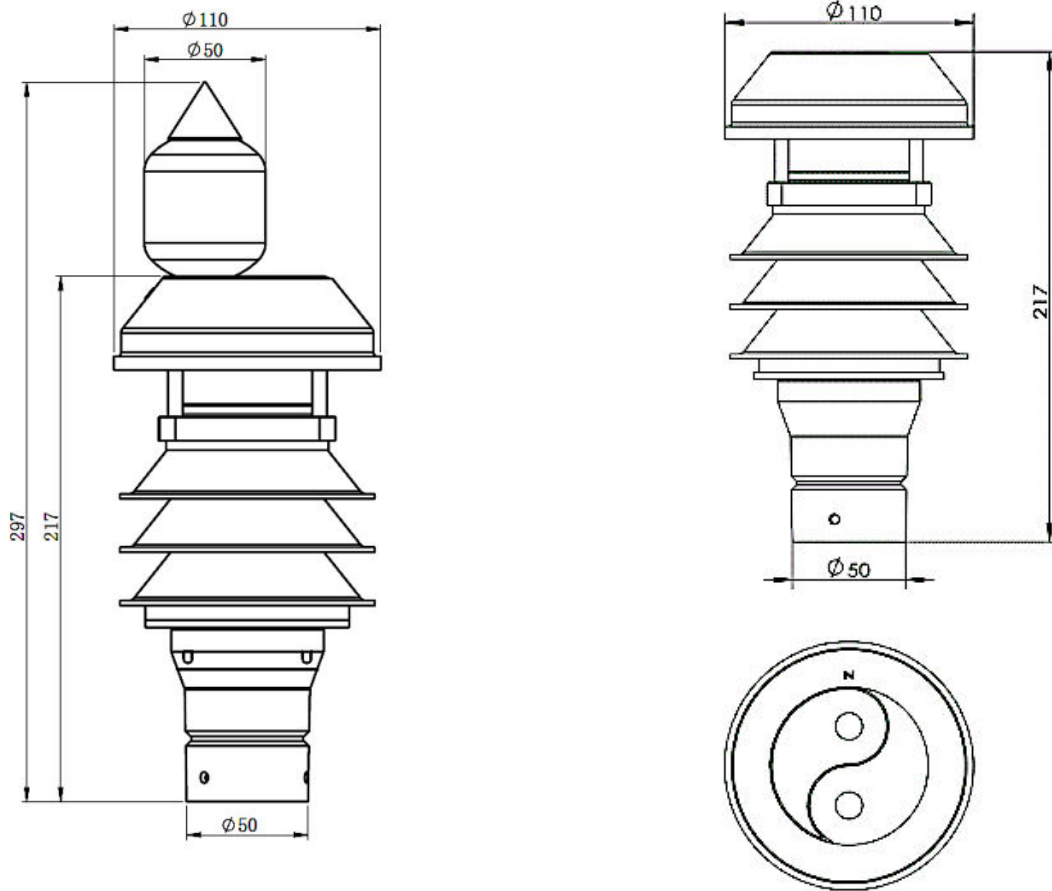
SEM9600 uses low-power chips inside. It can also be equipped with a MINI visibility detection module, which is very suitable for the use of smart city control systems.

SPECIFICATION

ITEMS	Range	Accuracy	Resolution
Wind speed	0-70m /s	± 3%	0.1
Wind direction	0-359 °	±3 °	1 °
Temperature	- 40 °C - + 80 °C	± 0.5°C	0.1 °C
Humidity	0 – 100%	±3%	1
Atmospheric pressure	300 – 1100hPa	±1	0.1hPa
Rainfall*	0-200mm/hr	±5%	0.1mm
Altitude*	-500m ~ 9000m	±8%	1m
Radiation*	0-2000 W/m2	±5%	0.1 W/m2
Illuminance*	0-200000lux	±5%	0.1 lux
UV radiation*	0-2000 W/m2	±5%	0.1 W/m2
PM2.5/PM10*	0-2000µg/m3	±5%	1µg/m3
UV Radiation*	0-2000 W/m2	±10%	1µW/cm ²
Visibility*	10~3000m	±15%	1m
Noise*	30~130dB	±3dB	0.1dB
Digital output	RS232, RS485, SDI-12		
Power supply	VDC: 7-30V / (0.1-0.7) W (Heating Version Start from 12VDC)		
Operate temperature Humidity	-20°C - +50°C / 0 - 100%		
IP protection	IP65		
Baut rate	4800 - 19200		
Communication	ModBus, NMEA-0183, ASCII		
Size	Φ110mm× (217-297) mm / 0.38kg		
Material	White/ASA		

DIMENSION

Unit:mm



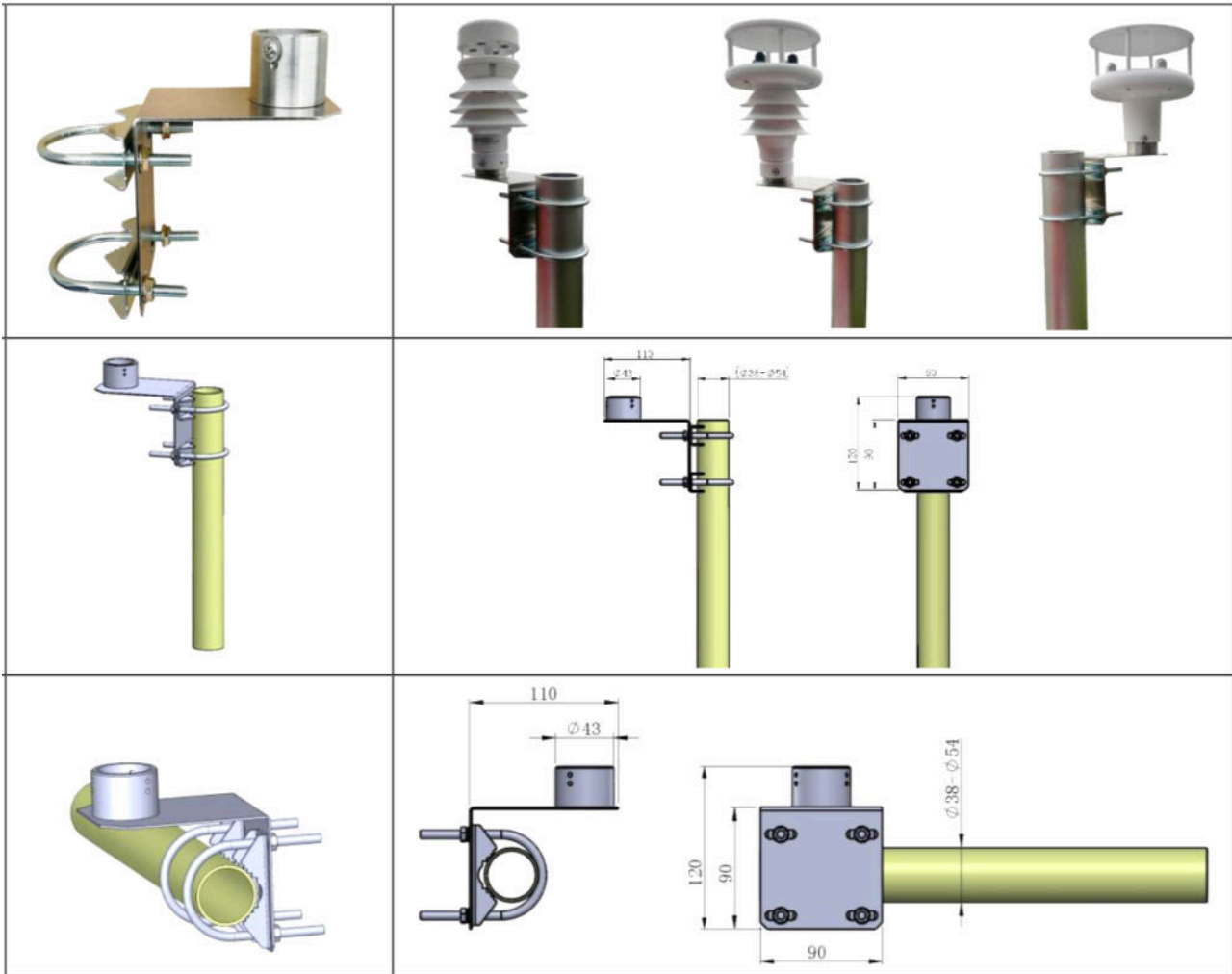
ORDER CODE

Name	Micro automatic meteorological station / urban ambient air station	
SEM9600	CODE	Measure parameters
	A	5 in 1 function (5 parameters was measured, please indicate specific parameters required)
	B	6 in 1 function (6 parameters was measured, please indicate specific parameters required)
	C	7 in 1 function (7 parameters was measured, please indicate specific parameters required)
	D	8 in 1 function (8 parameters was measured, please indicate specific parameters required)
	E	9 in 1 function (9 parameters was measured, please indicate specific parameters required)
	F	10 in 1 function (10 parameters was measured, please indicate specific parameters required)
	G	11 in 1 function (11 parameters was measured, please indicate specific parameters required)
	H	12 in 1 function (12 parameters was measured, please indicate specific parameters required)
	I	13 in 1 function (13 parameters was measured, please indicate specific parameters required)
J	14 in 1 function (14 parameters was measured, please indicate specific parameters required)	

Note: the above parameters can be selected and combined according to the user's requirements. Please specify the specific parameters and quantity when ordering.

INSTALLATION

L type installation



I type installation

