

SPX504P Portable Tuning Fork Density Meter

SPX504P Portable Tuning Fork Concentration Meter

Product Overview

SPX504P portable tuning fork density/concentration meter, the use of vibration source on the metal fork body for excitation, and make the fork body in the center of the frequency of free vibration, this frequency and contact with the density of the liquid has a correlation corresponds to the density of the liquid, so through the analysis of the frequency of the liquid density can be measured, and then temperature compensation can eliminate the temperature drift of the system; and the concentration of the liquid according to corresponding to the correlation between the liquid density and the intensity of the temperature of 20 °C can be calculated. This device combines density, concentration, and waveforms. The device combines density, concentration, boehmness, and temperature in one unit with multiple liquid options. It is easy to carry, intuitive display, simple and convenient, and so on.



SPX504P-D
Push button type

SPX504P-HD
Touch Screen Type

Areas of Application

1. Petrochemical industry: diesel, gasoline, ethylene, etc.
2. Chemical industry: sulfuric acid, hydrochloric acid, nitric acid, atmospheric acetic acid, ammonia, methanol, ethanol, brine, sodium hydroxide, freezing liquid, sodium carbonate, glycerol, hydrogen peroxide and so on.
3. Pharmaceutical industry: medicinal liquid, biological liquid, alcohol extraction, acetone, alcohol recovery, etc.
4. Food and beverage industry: sugar water, fruit juice, brewing, cream and so on.
5. Battery and electrolyte industry: sulfuric acid, lithium hydroxide, etc.
6. Environmental protection industry: desulfurization (lime slurry, gypsum slurry), denitrification (ammonia, urea), wastewater treatment MVR (acid, alkali, salt recycling) and so on.

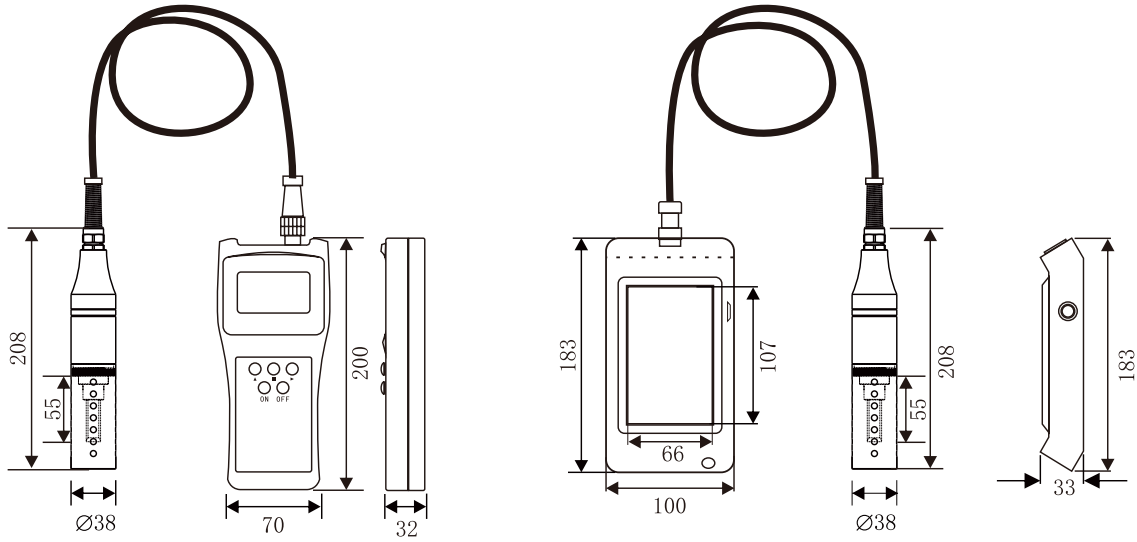
Technical Indicators

Power: Built-in 3.7VDC lithium battery, rechargeable
 Concentration range: 0~100% (20 °C), according to the use of the situation, can be calibrated for a range of bands
 Density range: 0~2g/cm³, according to the use of the situation, can be calibrated for a range of bands
 Concentration Accuracy: 0.5%, Resolution: 0.1%, Repeatability: 0.2%
 Density Accuracy: 0.002 g/cm³, Resolution: 0.0001, Repeatability: 0.0005
 Medium Temperature: 0~60 °C (liquid) Ambient Temperature: -40~85 °C
 Medium Viscosity: <2000mpa·s
 Reaction Speed: 2S

Physical Indicators

Interface material: stainless steel
 Cable material: corrosion-resistant silicone rubber
 Connection material: 316L, special requirements possible

Dimension drawing



Push-button type (unit: mm)

Touch-screen type (unit: mm)

Above dimensions are for reference only.
Actual dimensions are based on production.

Selection Table

SPX504P-D/HD	<input type="checkbox"/>	<input type="checkbox"/>	<input type="checkbox"/>	<input type="checkbox"/>	Portable Tuning Fork Density Meter Portable Tuning Fork Concentration Meter
Measuring medium	A				Density Hydrochloric acid concentration Sulfuric acid concentration Ammonia concentration Alcohol concentration Sodium hydroxide concentration Others
Measurement range	B				
	C				
	D				
	E				
	F				
Liquid receiving material	X				
			R1		0~1.5g/cm ³
			R2		0~2g/cm ³
			R3		0~50%
			R4		0~100%
Cable length			RX		Others
				1	316L
				2	Titanium
				3	Hastelloy
			X	Others	
				L1	2m (standard)
				L-	--